

SINOX

Innovation Is What We Breathe



ISO 9001 : 2015

台北总公司&工厂：竞泰股份有限公司
235602 新北市中和区建一路93巷2号3楼
电话：+ 886. 2. 8227.6730
传真：+ 886. 2. 8227.6729
电子邮件：info@sinoxlock.com
网站：www.sinoxlock.com

Taiwan Headquarter / Factory
3F, No.2, Lane 93, Chien-1 Road, Chung-Ho Dist, New Taipei City, 235602, Taiwan
TEL: +886.2.8227.6730
FAX: +886.2.8227.6729

昆山厂：金泰裕精密五金(昆山)有限公司
江苏省昆山市张浦镇花苑路879号
邮编区号：215321
电话：+ 86. 512. 5745.2310
传真：+ 86. 512. 5745.2318

China Factory: KUNOX CO., LTD.
No. 876, Huayuan Road, Zhangpu Town, Kunshan City, Jiangsu Province, P.R. China
Zip Code: 215321
TEL: + 86.512.5745.2310
FAX: + 86.512.5745.2318



欢迎扫码微信
了解更多



For more product details,
please scan the QR code



**CABINET SECURITY
CATALOGUE**



In 1978, our fascination with locks transformed Sinox into the specialist of combination lock manufacturer it is today. For more than 46 years, Sinox had solved problems with the same fascination that has propelled us to constantly seek for better solutions and grow stronger through the process. Being of the pioneering security lock manufacturer distinguished for its innovative design, developments and manufacturing of various quality products, Sinox has now become a recognized name in the industry with partners around the world.

We understand peoples' need, and thus devote our efforts in providing the highest quality products to our end users. Sinox continues to invest heavily in R & D to further enhance its products and services and better serve our clients in different and varied market segments. Sinox strives to be its clients' privileged partner to jointly secure the trust and recurring business of their common end users.

金泰裕精密五金（昆山）有限公司创于1978年，凭着对锁的不断追求，如今已成长为专业的密码锁生产厂商。自成立46年来，克服无数困难且在发展中逐渐强大。

作为安全锁制造业的先驱，金泰裕精密五金因其创新设计的开发以及优质的产品，而被世界各地的合作伙伴所熟悉。我们了解您的需求，致力于提供最优质的产品和服务。金泰裕精密五金将继续大量投资于R&D，以提高产品品质为您提供更好的服务。

金泰裕精密五金致力于成为您最优秀的合作伙伴，期望与您建立真诚长久的合作。

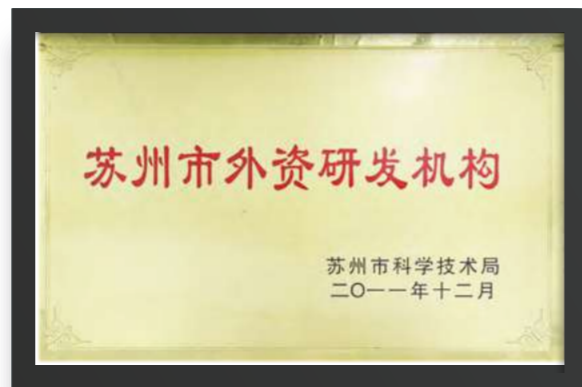
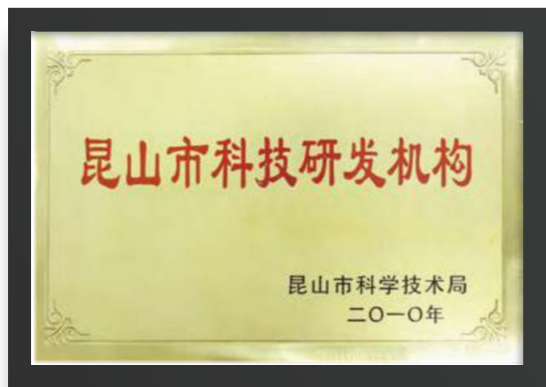


Over the years SINOX has been the recipient of numerous honors, awards and certifications, including the Golden Cauldron Award for the top 10 outstanding enterprises of the new century, the Little Giant Award from the Ministry of Economic Affairs, TAITRA Good Design Award, Reddot Design Award, COMPUTEX TAIPEI d&i awards, Golden Pin Design Product Certificate, ART certification, SSF certification, SOLD SECURE certification, and TSA Recognized approval, demonstrating that SINOX's R&D in design and security have won global acclaim.



SINOX多年来陆续荣获各类奖项及认证，包括：
红点设计奖（Reddot Design Award）、
台北国际计算机展创新设计奖（COMPUTEX Taipei D&I Awards）、
金点设计产品认证（Golden Pin Design Product Certificate）、
ART certified、SSF certified、SOLD SECURE certified、TSA Recognized等
多国认证。

Enterprise Honor 企业荣誉



Certification 国际认证



Certification 国际认证



Test Report at National Level 国家级检验报告



SINOX

Innovation, Service, and Quality

Established in 1978 by a team of aerospace engineers, Sinox has since grown into a world renowned security lock manufacturer distinguished for its innovative design, and manufacturing of quality products.

Over 46 years of experience supported by a team of 50 designers and engineers, our products have won much acclaim among our global clients. Here we introduce our 6 major product categories and clients in each category:



THE WORLD COMES TO US FOR SECURITY

Sports & Outdoor Security



Office NB & 3C Security



Two Wheel Security



Travel & Luggage Security














Household Storage Security



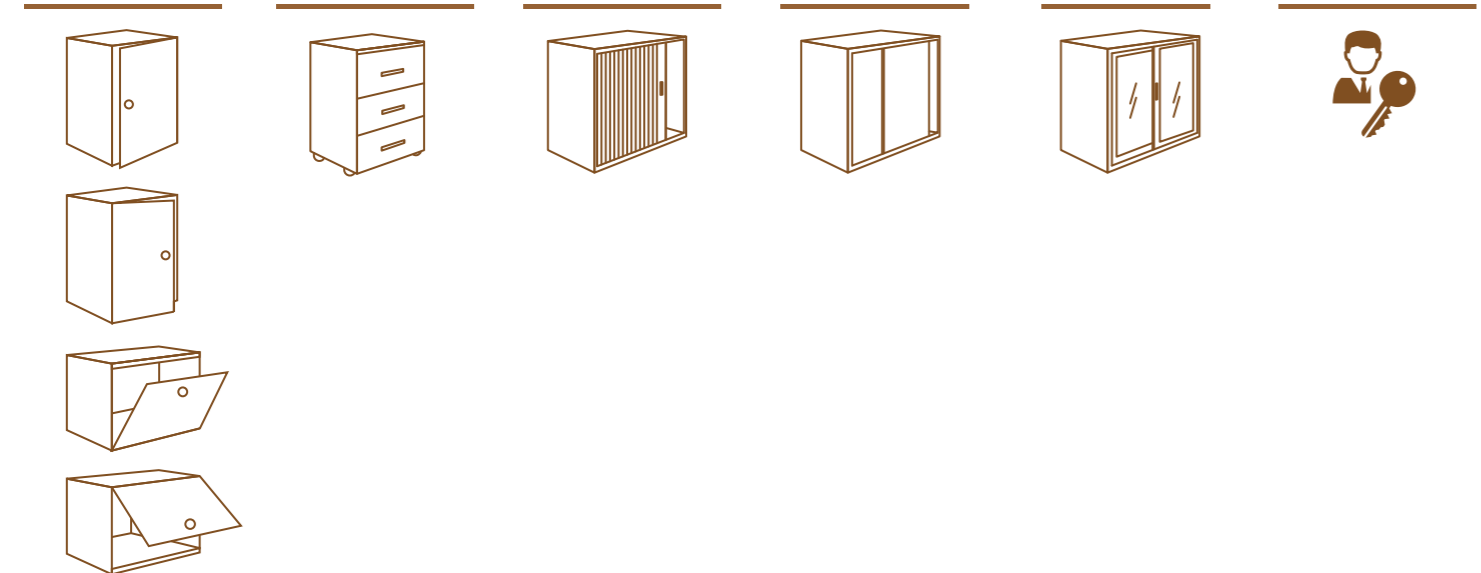
Cabinets Security















INDEX / 产品索引

Page 页数	Item No. 型号	Product Photo 产品图	FIX CODE (Private) 固定号 (私人柜)	FREE CODE (Public) 自由号 (公共柜)	Master Key 管理者钥匙	Decode function 寻号功能		Auto-Scrambling 自动乱号	Force-Resistant knob 空转旋钮	Material 材质	
						In Front 前	In Back 后			Zinc Alloy 锌合金	Plastic 塑胶
For Private Lockers (FIX CODE) 固定号 (私人柜)											
15	AL0224		•		•		•				•
17	AL0311		•		•		•				•
18	AL2011		•		•		•				•
19	AL2001		•		•		•		•		•
21	AL0269		•		•		•			•	
For Public Lockers (FREE CODE) 自由号 (公共柜)											
24	AL0266			•	•		•				•
25	AL2002			•	•		•		•		•
Private or Public Switchable 固定号 / 自由号 (可转换)											
29	AL0237		•	•	•		•				•
30	AL0238		•	•	•		•			•	
31	AL0233		•	•	•		•				•
32	AL0330		•	•	•		•				•

Swivelling Door Lock 开门柜 Pedestal Lock Central Locking Door 抽屉柜 Tambour Door Lock 卷门柜 Sliding Door Lock 移门柜 File Cabinet Lock 储物柜 Master Key or Master Code Feature 管理者钥匙



CABINET SECURITY

Page 页数	Item No. 型号	Product Photo 产品图	FIX CODE (Private) 固定号 (私人柜)	FREE CODE (Public) 自由号 (公共柜)	Master Key 管理者钥匙	Decode function 寻号功能		Auto-Scrambling 自动乱号	Force-Resistant knob 空转旋钮	Material 材质	
						In Front 前	In Back 后			Zinc Alloy 锌合金	Plastic 塑胶
Fixable with M19 hole 适用于M19孔位											
35	AL0213		•								•
35	AL0200		•		•		•				•
35	AL0204		•		•		•				•
37	AL0205		•		•		•				•
37	AL0306		•		•		•			•	
38	AL0300			•	•		•				•
38	AL1001			•	•		•				•
Electronic Locks and Padlocks 电子锁与挂锁											
41	AL7001F		•		•				•		•
42	AL7002		•		•						•
43	AL7003		•		•						•
44	AL7005		•		•				•		•
45	PL7002										•
47	Key Management Box 钥匙管理箱										
48	Accessories 配件										

Cabinet Lock Classification 橱柜号码锁分级表



LOW

HIGH

Feature LEVEL 1 Standard Models 基本款

- Combination Lock
- Keyed Cam Lock – key alike or key different
- 号码锁
- 可选择同号或不同号

Feature LEVEL 2 Advanced Models 进阶款

- Combination Lock + Master Key
- 号码锁+管理者钥匙

Feature LEVEL 3 Premium Models 进阶升级款

- Combination Lock + Master Key + Decode Function
- 号码锁+管理者钥匙 + 寻号功能

Feature LEVEL 4 Advanced Premium Models 高阶款

- Combination Lock + Master Key + Decode Function + Auto-Reset or Scramble Locking
- 号码锁+管理者钥匙 + 寻号功能 + 开锁状态即可变号

Feature LEVEL 5 Super Premium Models 智能高阶款

- Combination Lock + Master Key + Decode Function + Auto-Reset or Scramble Locking + Auto-Zero-Return
- 号码锁+管理者钥匙 + 寻号功能 + 开锁状态即可变号 + 号码自动归 "0"

1 固定号 (私人柜)
**For Private Lockers
(FIX CODE)**



AL0224B

- 4-digit resettable combination
- Accessed with emergency opening
- Decode function in the rear
- Combination reset in the rear
- Fixed code for single user

- 4 字轮变号功能
- 紧急解锁
- 后方寻号功能
- 后方号码重置
- 适用于单一用户的固定变号



AL0224(R)



AL0224(L)



AL0224(V)

AL0224C

- 4 dials resettable combination (plastic dials)
- Additional Master Key function for the emergency
- Suitable for the Pedestal or Central Locking cabinets
- Reset the new code and Decode function in back
- Plastic Lock housing

- 4 字轮变号功能
- 紧急解锁
- 后方寻号功能
- 后方号码重置
- 适用于单一用户的固定变号
- 适用于中控锁的锁舌
- 塑胶锁壳



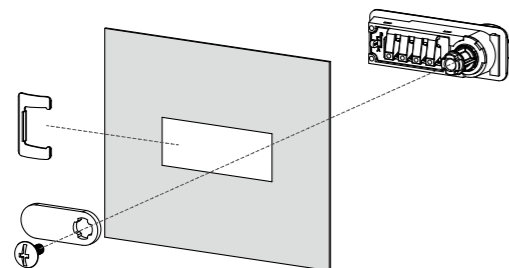
AL0224C(R)



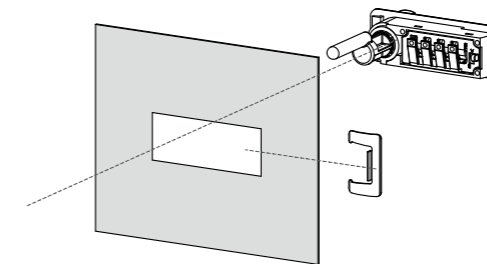
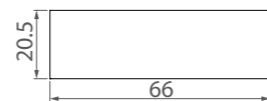
AL0224C(L)

Installation / 安装

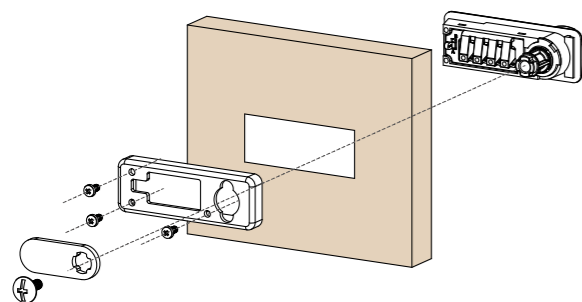
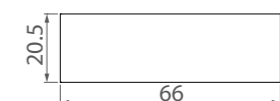
Installation / 安装



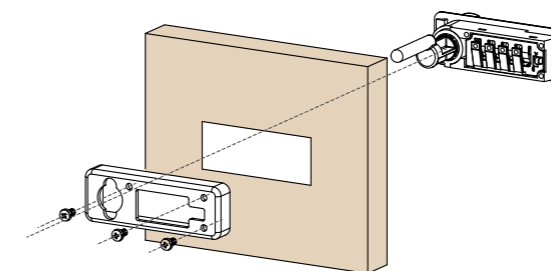
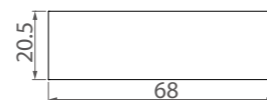
Panel thickness / 板厚 : 0.8-1mm
drilling template for metal panel / 金属面板挖孔尺寸 :



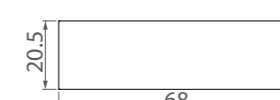
Panel thickness / 板厚 : 0.8-1mm
drilling template for metal panel / 金属面板挖孔尺寸 :



Panel thickness / 板厚 : 0.8-6.5mm, 4.3-10.8mm, 12.3-18.8mm
drilling template for wooden panel / 木板挖孔尺寸 :



Panel thickness / 板厚 : 0.8-6.5mm, 4.3-10.8mm, 12.3-18.8mm
drilling template for wooden panel / 木板挖孔尺寸 :



AL0311

- 4 dials resettable combination (plastic dials)
- with Master Key for emergency access
- Reset the new codes and Decode function in front
- Plastic Lock housing
- with Scramble-Locking function

- 4 字轮变号功能
- 紧急解锁
- 前方寻号功能
- 前方号码重置
- 固定变号, 适用于单一用户, 搭配自由锁舌 (乱号时亦可上锁)



AL2011

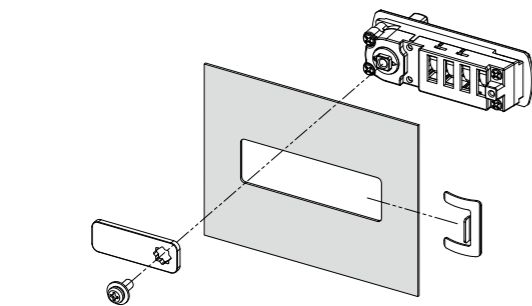
- 4 dials resettable combination (plastic dials)
- with Master Key for emergency access
- Reset the new codes and Decode function in front
- Plastic Lock housing
- with Scramble-Locking function

- 4 字轮变号功能
- 紧急解锁
- 前方寻号功能
- 前方号码重置
- 固定变号, 适用于单一用户, 搭配自由锁舌 (乱号时亦可上锁)

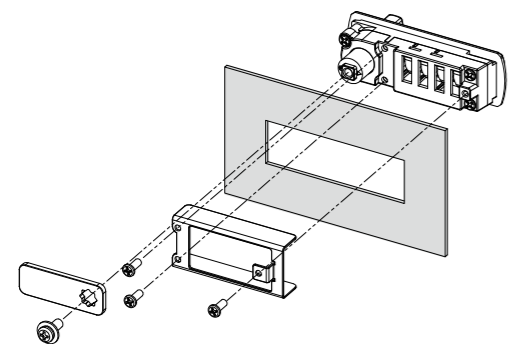
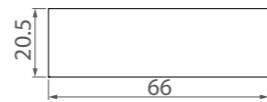


Installation / 安装

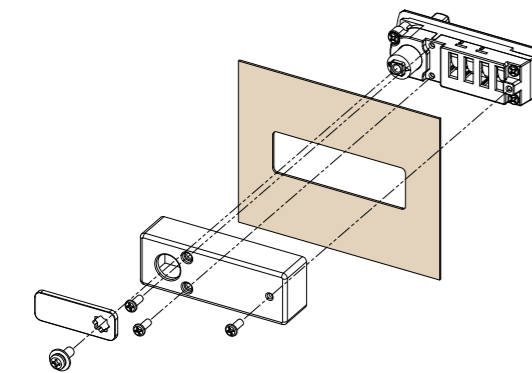
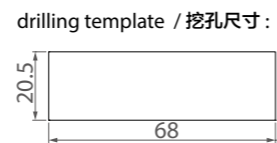
Installation / 安装



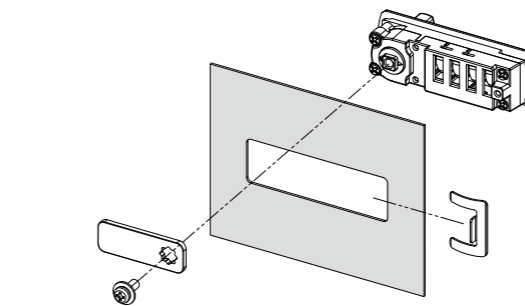
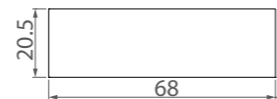
Panel thickness / 板厚: 0.6-1mm
drilling template for metal panel / 金属面板挖孔尺寸:



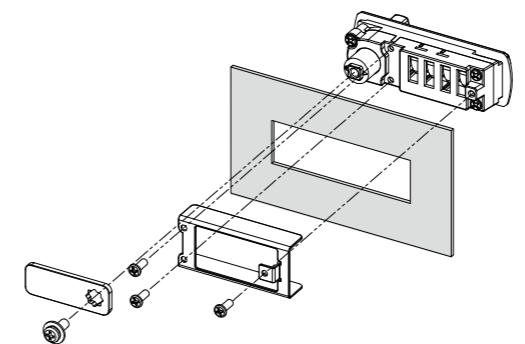
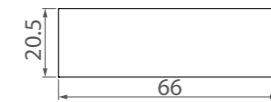
Metal / 金属:
Panel thickness / 板厚:
0.6-6.8mm, 6.9-13.1mm, 12-20.3mm



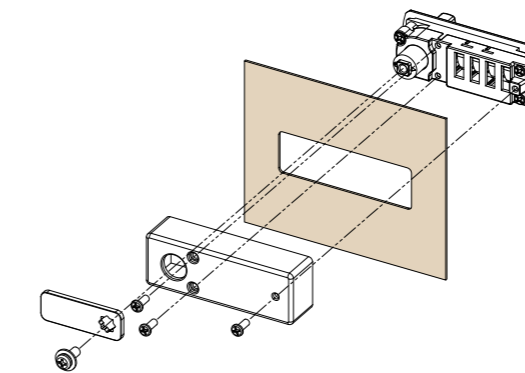
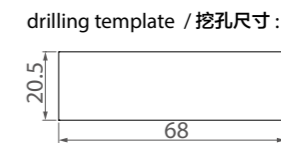
Plastic / 塑胶:
Panel thickness / 板厚: 0.6-1mm, 18-20mm
drilling template / 挖孔尺寸:



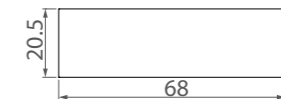
Panel thickness / 板厚: 0.6-1mm
drilling template for metal panel / 金属面板挖孔尺寸:



Metal / 金属:
Panel thickness / 板厚:
0.6-6.8mm, 6.9-13.1mm, 12-20.3mm



Plastic / 塑胶:
Panel thickness / 板厚: 0.6-1mm, 18-20mm
drilling template / 挖孔尺寸:



AL2001



- 4 dials resettable combination (plastic dials)
- Additional Master Key function for the emergency access
- with the Force-Resistant knob
- Reset the new codes and Decode function in Front
- with Green (open) and Red (close) indicator
- Plastic Lock housing
- with Scramble-Locking function
- The plastic handle and the M19 compatible plastic stand are the optional accessories

- 4 字轮变号功能
- 紧急解锁
- 前方寻号功能
- 前方号码重置
- 固定变号, 适用于单一用户, 搭配自由锁舌 (乱号时亦可上锁)
- 空转防盗机制



AL2001A 嵌入式安装



AL2001C 凸出式握把



AL2001B 拉式握把



AL2001A



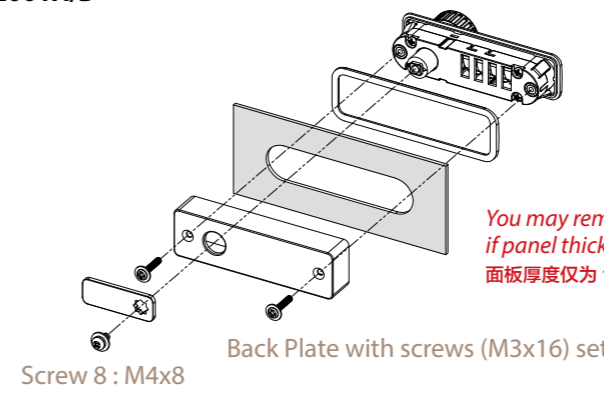
AL2001B



AL2001C

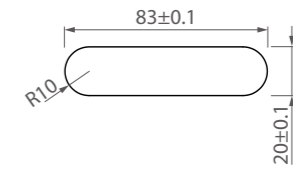
Installation / 安装

AL2001A/B

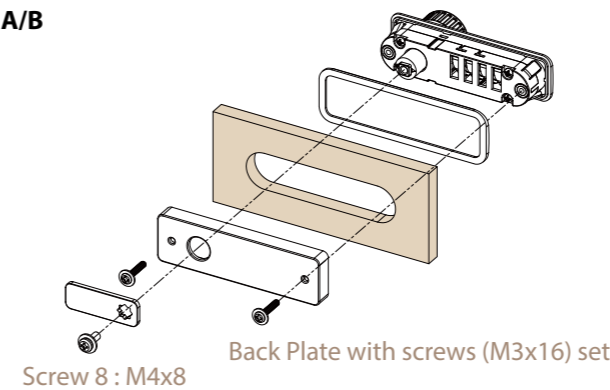


You may remove the Back Plate if panel thickness is just 1mm.
面板厚度仅为 1 毫米时, 不需要固定座

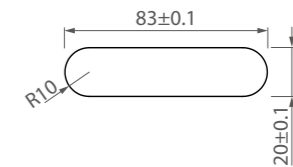
Panel thickness / 板厚 : 0.8-8mm
drilling template / 挖孔尺寸



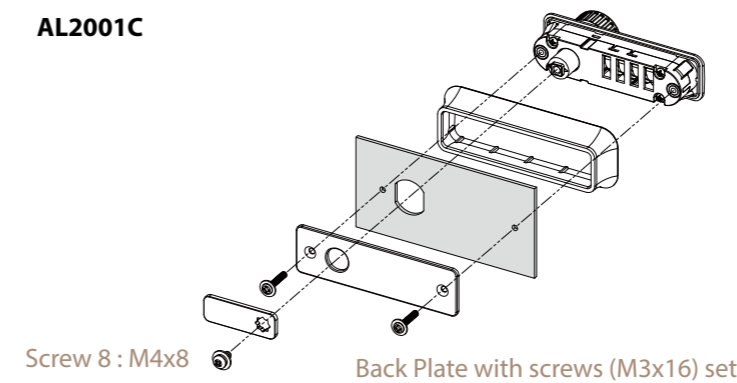
AL2001A/B



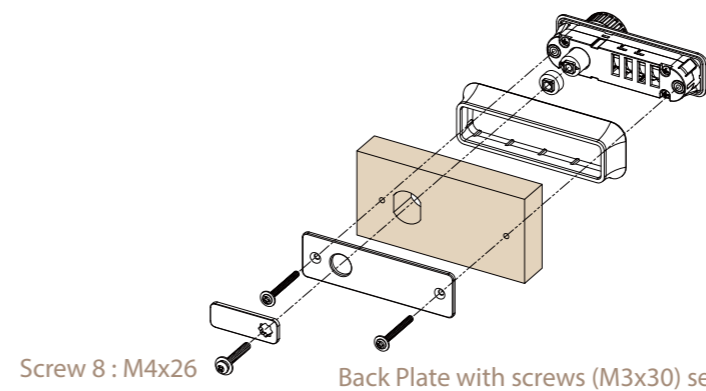
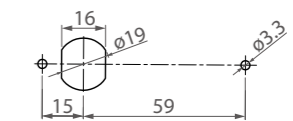
Panel thickness / 板厚 : 8-16mm, 16-22mm
drilling template / 挖孔尺寸



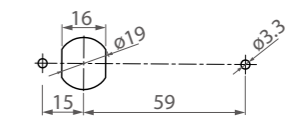
AL2001C



Panel thickness / 板厚 : 0.8-8mm
drilling template / 挖孔尺寸



Panel thickness / 板厚 : 16-22mm
drilling template / 挖孔尺寸



AL0269



- 4 dials resettable combination (plastic dials)
- with Auto-Scramble Locking function
- Additional Master Key function for the emergency access
- Reset the new codes in Front
- with Green (open) and Red (close) indicator
- Decode function in Back
- Zinc Alloy Lock housing and knob
- Interchangeable key cylinder (upon request)

- 4 字轮变号功能
- 自动清码功能
- 紧急解锁
- 后方寻号功能
- 前方号码重置
- 固定变号, 适用于单一用户, 搭配自由锁舌 (乱号时亦可上锁)
- 互换锁芯 (如有需求)



AL0269(R)

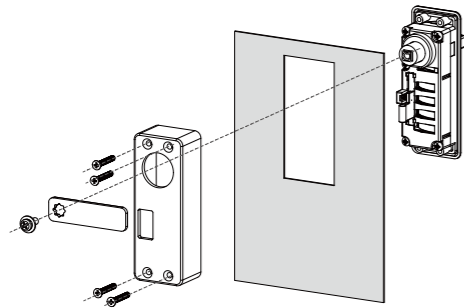


AL0269(U)

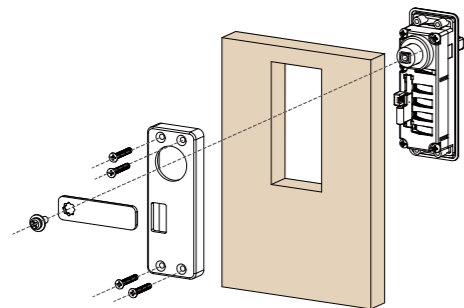
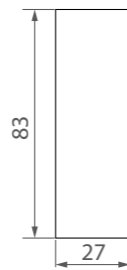


AL0269(V)

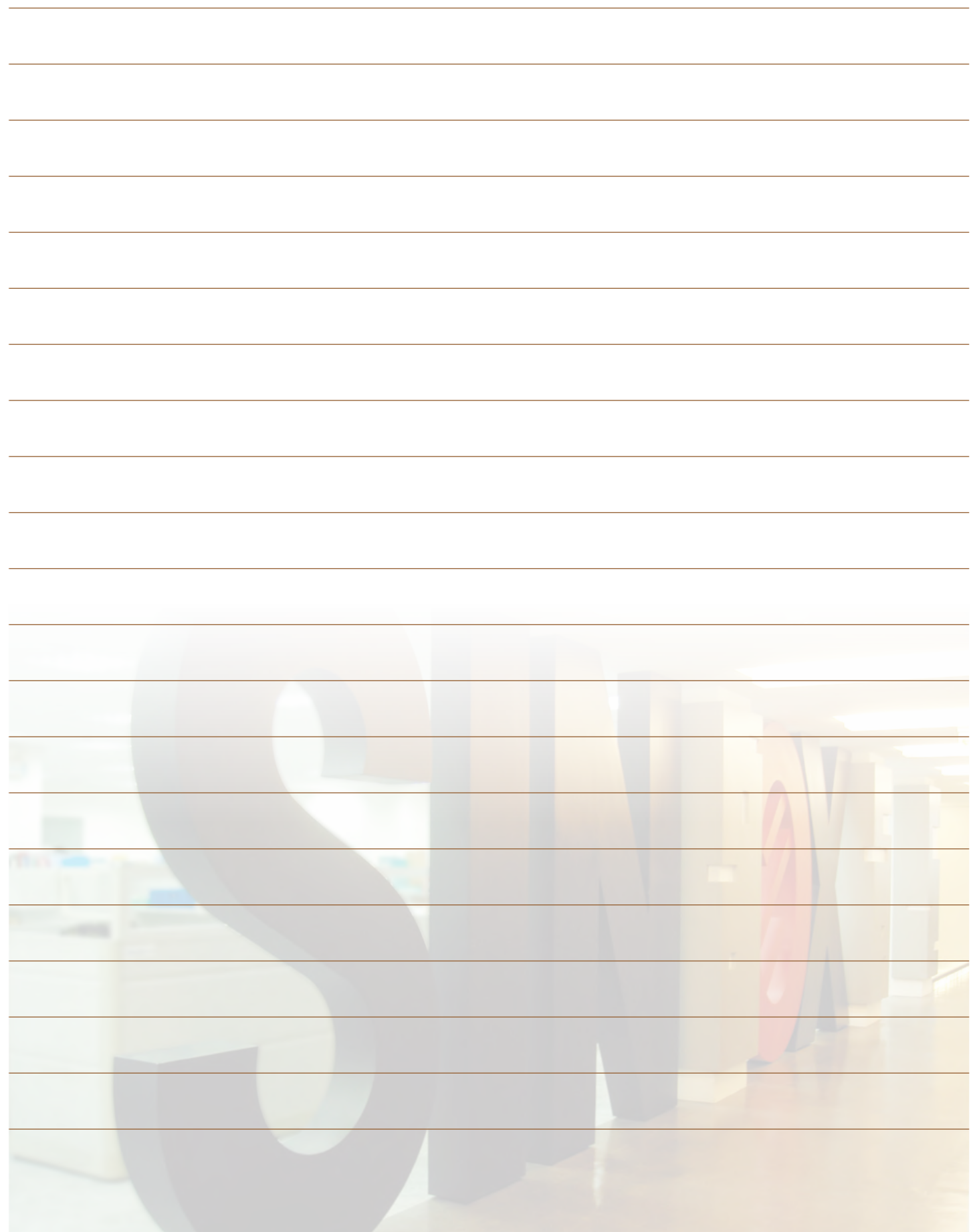
Installation / 安装



Panel thickness / 板厚: 0.8-1.2mm
drilling template for metal panel / 金属面板挖孔尺寸:



Panel thickness / 板厚: 16mm, 18-22mm
drilling template for wooden panel / 木板挖孔尺寸:



自由号 (公共柜)
For Public Lockers
(FREE CODE)

AL0266  

- 4 dials resettable combination (plastic dials)
- Additional Master Key function for the emergency access
- Reset the new codes in Front
- Decode function in Back
- Plastic Lock housing and knob
- with Auto-Scramble Locking function
- Interchangeable key cylinder (upon request)

- 4 字轮变号功能
- 紧急解锁
- 后方寻号功能
- 前方号码重置
- 固定变号, 适用于单一用户, 搭配自由锁舌 (乱号时亦可上锁)
- 互换锁芯 (如有需求)
- 每次使用后需拨乱字轮



AL0266(R)

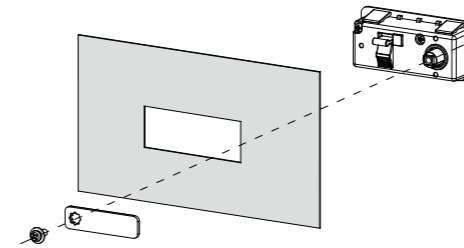


AL0266(L)

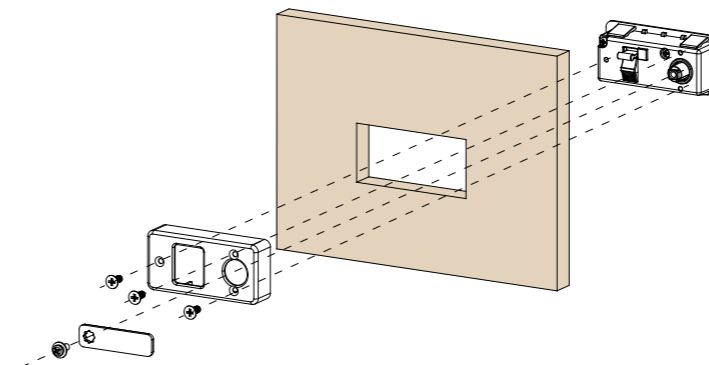
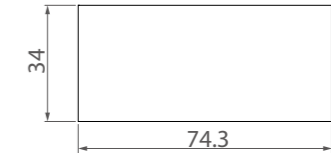


AL0266(V)

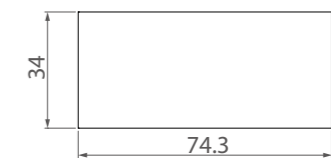
Installation / 安装



Panel thickness / 板厚: 0.8-1mm
drilling template for metal panel / 金属挖孔尺寸:



Panel thickness / 板厚: 1-6mm, 6-11mm, 16-21mm
drilling template for wooden panel / 木板挖孔尺寸:



AL2002

- 4 dials resettable combination (plastic dials)
- Additional Master Key function for the emergency access
- For the temporary users can set their codes when the cabinet lock is opened
- with Green (open) and Red (close) indicator
- with the Force-Resistant knob
- Decode Function in Front
- Plastic Lock housing
- The plastic handle and the M19 compatible plastic stand are the optional accessories

- 4 字轮变号功能
- 紧急解锁
- 前方寻号功能
- 自由变号, 适用于多用户 (每次开锁后需重置密码)
- 空转防盗机制



AL2002A 嵌入式安装

AL2002B 拉式握把

AL2002C 凸出式握把



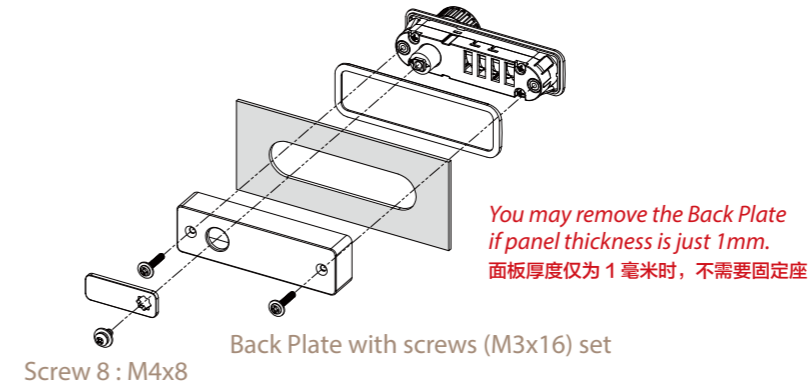
AL2002A

AL2002B

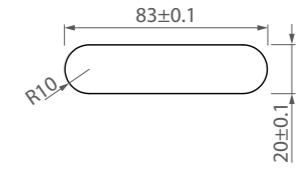
AL2002C

Installation / 安装

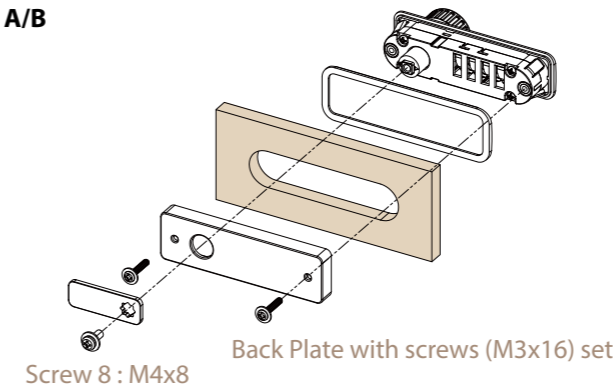
AL2001A/B



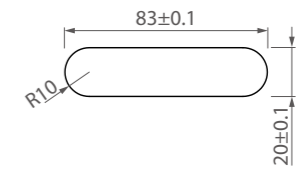
Panel thickness / 板厚 : 0.8-8mm
drilling template / 挖孔尺寸



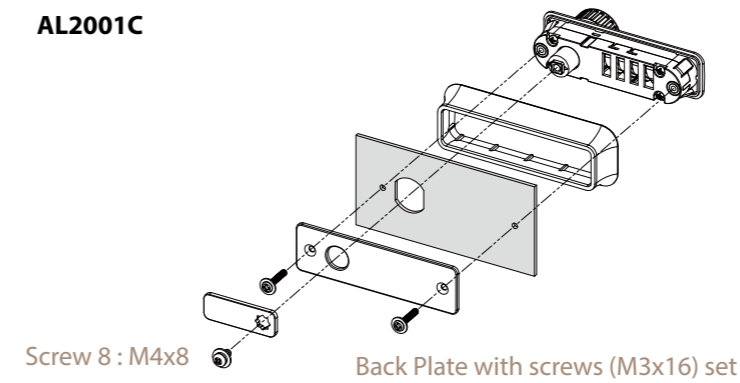
AL2001A/B



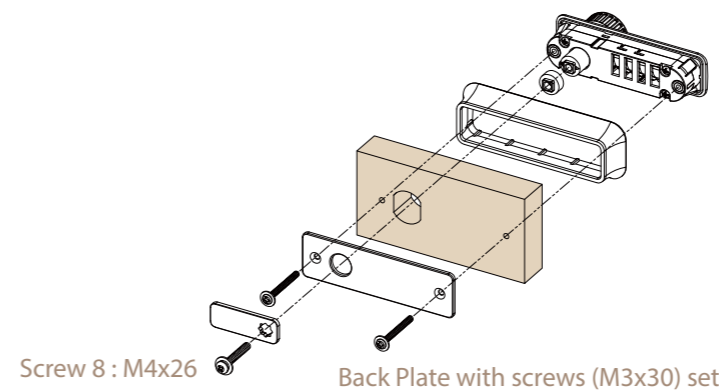
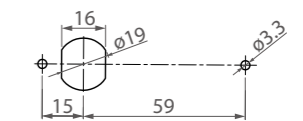
Panel thickness / 板厚 : 8-16mm, 16-22mm
drilling template / 挖孔尺寸



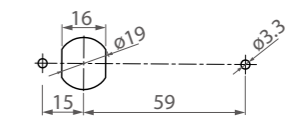
AL2001C

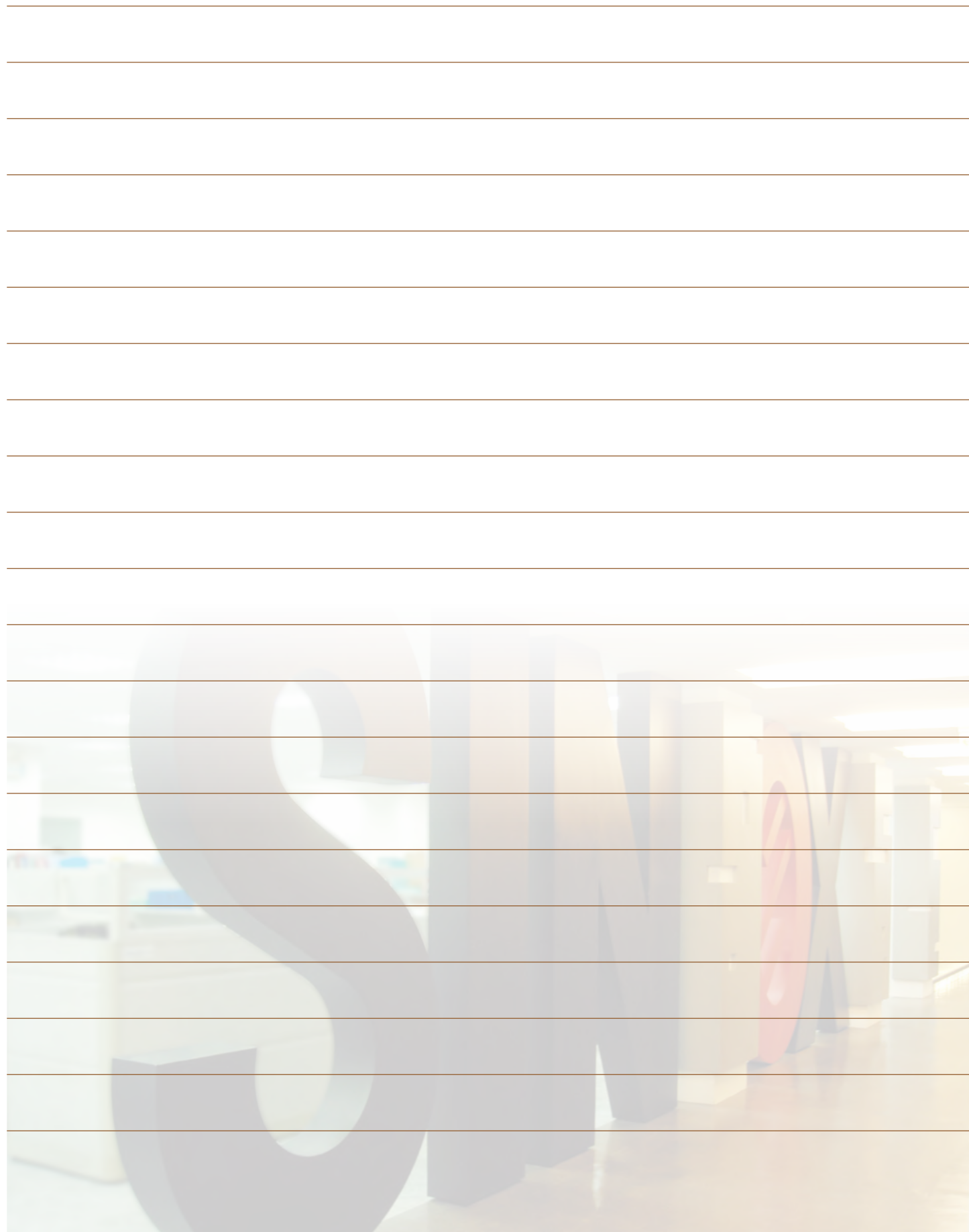


Panel thickness / 板厚 : 0.8-8mm
drilling template / 挖孔尺寸



Panel thickness / 板厚 : 16-22mm
drilling template / 挖孔尺寸





3

固定号 / 自由号
(可转换)

Private or Public
Switchable

AL0237

- 4 dials resettable combination (plastic dials)
- Additional Master Key function for the emergency access
- with Switchable Dual Modes: "R" is for the Public lockers / "F" is for the Private lockers
- with Green (open) and Red (lock) indicator
- Decode function in back
- Plastic Lock housing

- 4 字轮变号功能
- 紧急解锁
- 后方寻号功能
- 互换锁芯 (如有需求)
- 可作为把手
- 后方 R / F 模式切换按钮
- 多用户选择自由变号 (每次开锁后需重置号码) 的 (R) 模式, 或单一用户选择固定变号的 (F) 模式



AL0237(V)

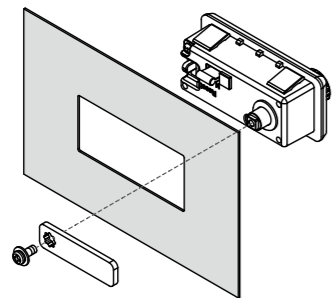


AL0237(R)



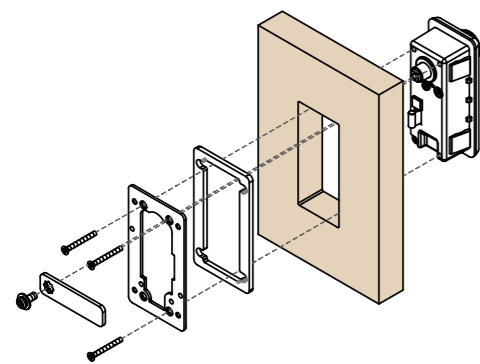
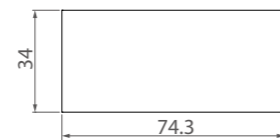
AL0237(L)

Installation / 安装



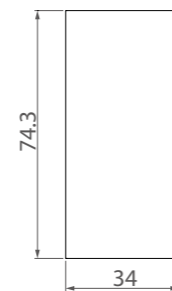
Panel thickness / 板厚: 1mm

drilling template for metal panel 金属面板挖孔尺寸:



Panel thickness / 板厚: 18mm

drilling template for wooden panel 木板挖孔尺寸:



AL0238

- 4 dials resettable combination (plastic dials)
- Additional Master Key function for the emergency access
- with Switchable Dual Modes: "R" is for the Public lockers / "F" is for the Private lockers
- with Green (open) and Red (lock) indicator
- Decode function in back
- Zinc Alloy Lock housing and Plastic Knob

- 4 字轮变号功能
- 紧急解锁
- 后方寻号功能
- 互换锁芯 (如有需求)
- 后方 R/F 模式切换按钮
- 多用户选择自由变号 (每次开锁后需重置号码) 的 (R) 模式, 或单一用户选择固定变号的 (F) 模式



AL0238(R)

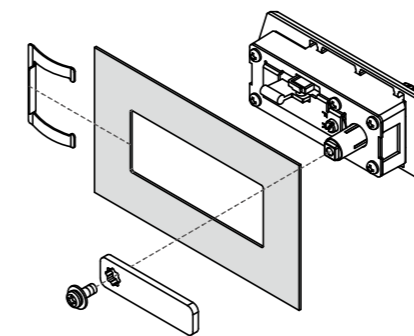


AL0238(L)



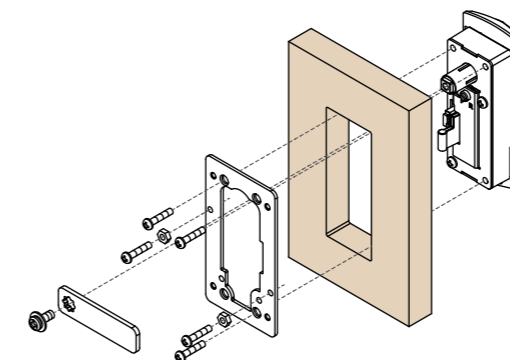
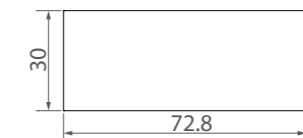
AL0238(V)

Installation / 安装



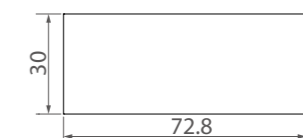
Panel thickness / 板厚: 1mm

drilling template for metal panel / 金属面板挖孔尺寸:



Panel thickness / 板厚: 1mm

drilling template for wooden panel 木板挖孔尺寸:



AL0233

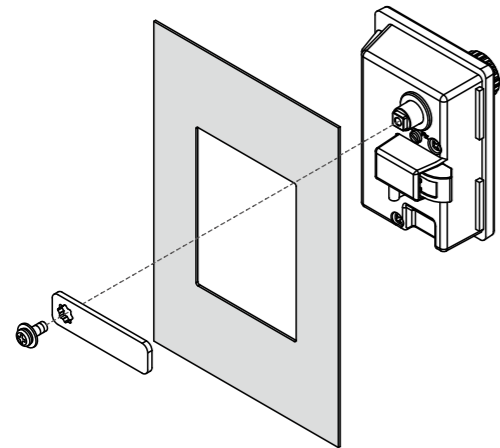


- 4 dials resettable combination (plastic dials)
- Additional Master Key function for the emergency access
- with Switchable Dual Modes: "R" is for the Public lockers / "F" is for the Private lockers
- with Green (open) and Red (lock) indicator
- Decode function in back
- Plastic Lock housing with Handle



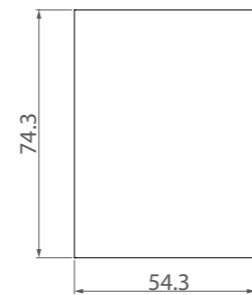
- 4 字轮变号功能
- 紧急解锁
- 后方寻号功能
- 互换锁芯 (如有需求)
- 可作为把手
- 后方 R / F 模式切换钮
- 多用户选择自由变号 (每次开锁后需重置号码) 的 (R) 模式, 或单一用户选择固定变号的 (F) 模式后

Installation / 安装



Panel thickness / 板厚: 1mm

drilling template for metal panel 金属面板挖孔尺寸:



AL0330

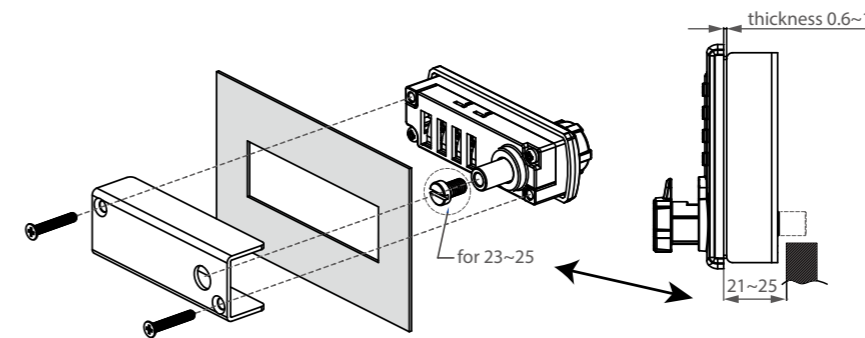


- 4 dials resettable combination (plastic dials)
- Additional Master Key function for emergency access
- with Switchable Dual Modes: "R" is for the Public lockers / "F" is for the Private lockers
- Mostly for the Sliding Door cabinets
- Decode function in front
- Plastic Lock housing

- 4 字轮变号功能
- 紧急解锁
- 后方寻号功能
- 主要用于推拉门橱柜
- 后方 R / F 模式切换钮
- 多用户选择自由变号 (每次开锁后需重置号码) 的 (R) 模式, 或单一用户选择固定变号的 (F) 模式后

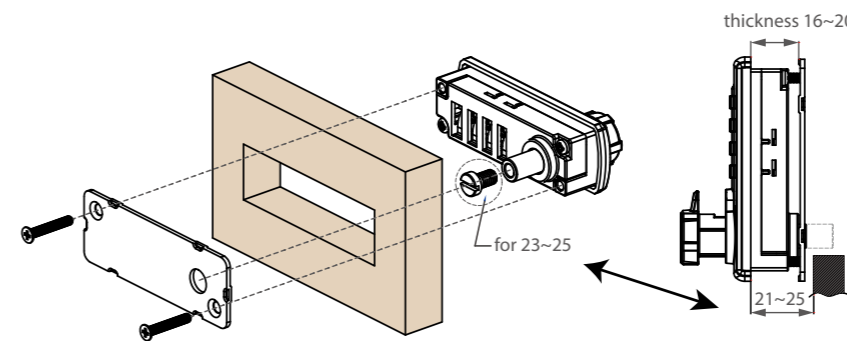
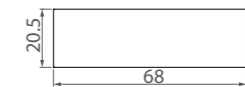


Installation / 安装



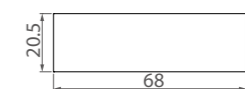
Panel thickness / 板厚: 0.6-1mm

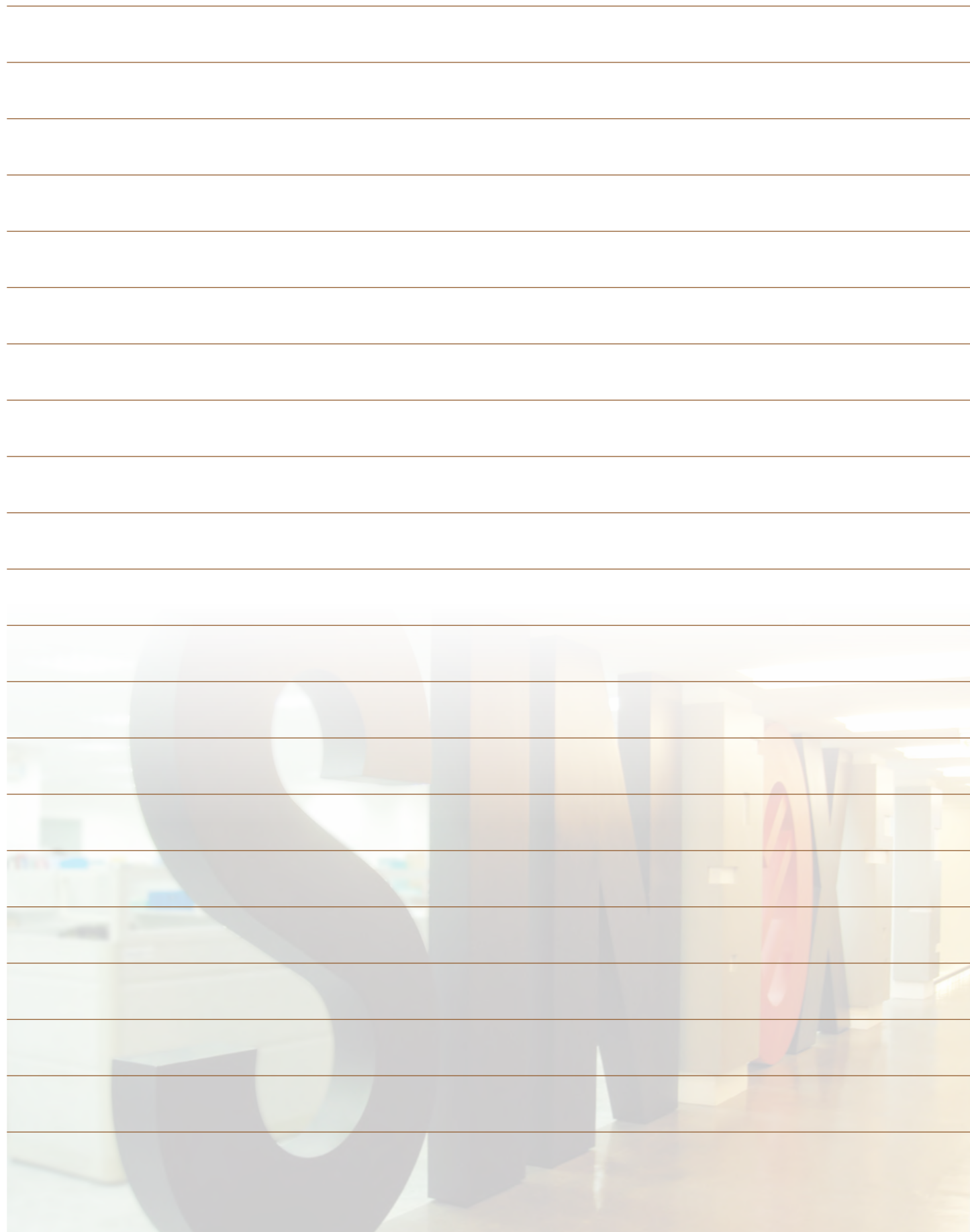
drilling template for metal panel / 金属面板挖孔尺寸:



Panel thickness / 板厚: 16-20mm

drilling template for wooden pane / 木板挖孔尺寸:





适用于M19孔位
**Fixable with
M19 hole**



Fixable with **M19 hole**

AL0213

- 3 dials resettable combination (plastic dials)
- Rotating the outer collar clockwise 90 degree to lock or unlock
- Plastic Lock housing
- 3 字轮变号功能
- 固定变号, 适用于单一用户
- 可作为门把使用



AL0200

- 3 dials resettable combination (plastic dials)
- Additional Master Key function for emergency access
- Reset Code and Decode in front
- Plastic Lock housing
- Mostly for the private locks, with Scramble-Locking function
- 3 字轮变号功能
- 紧急解锁
- 前方寻号功能
- 固定变号, 适用于单一用户, 搭配自由锁舌 (乱号时亦可上锁)
- 可作为门把使用

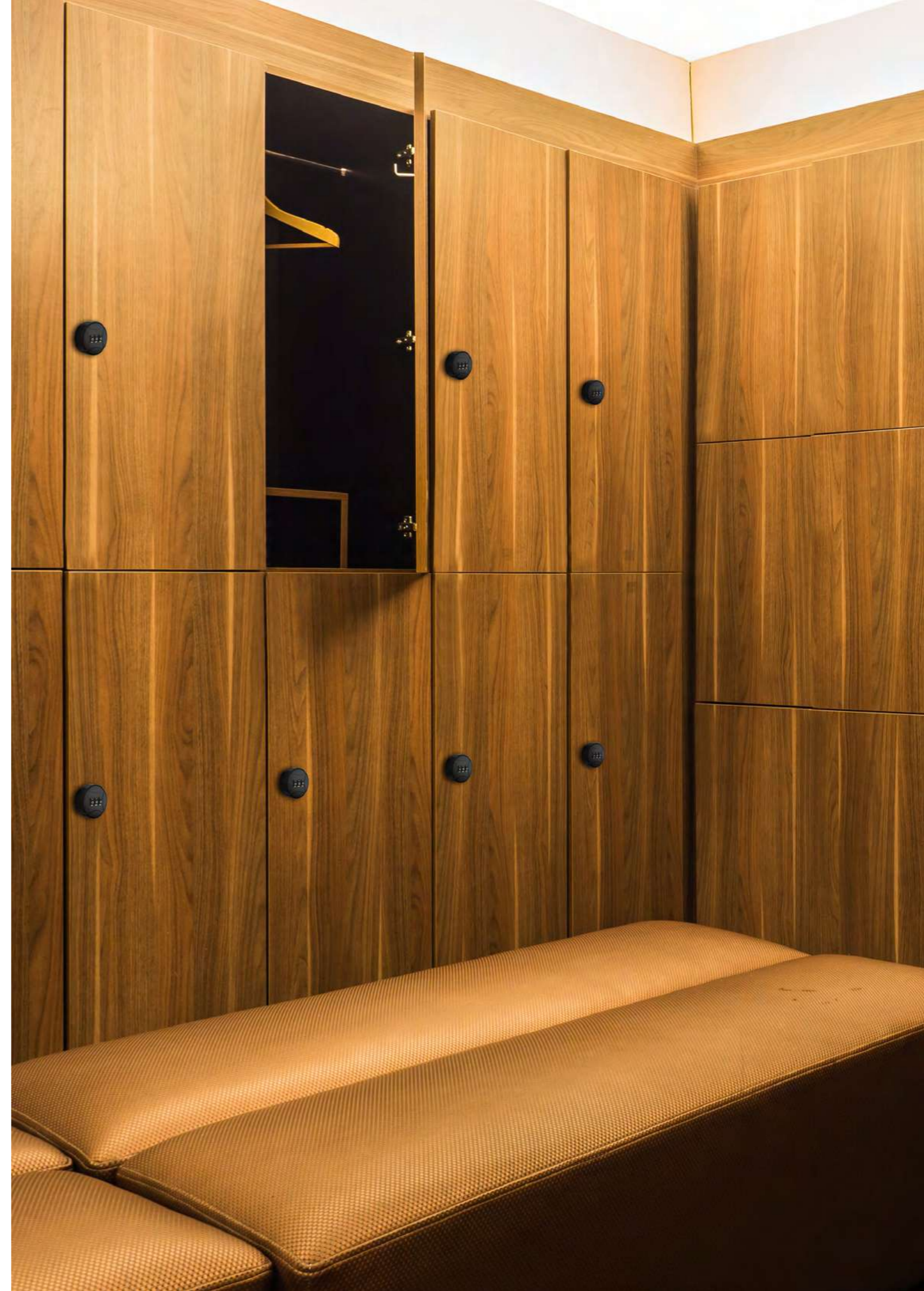


AL0204

- 3 dials resettable combination (plastic dials)
- Additional Master Key function for emergency access
- Reset Code and Decode in front
- Plastic Lock housing
- Mostly for the private locks, with Scramble-Locking function
- 3 字轮变号功能
- 紧急解锁
- 前方寻号功能
- 固定变号, 适用于单一用户, 搭配自由锁舌 (乱号时亦可上锁)
- 可作为门把使用
- AL0204P 具有凸出变号钮 (不需使用工具)



Easy to reset
your code
without tool



Fixable with **M19 hole**

AL0205

- 4 dials resettable combination (plastic dials)
- Additional Master Key function for emergency access
- Reset new code and Decode in front
- Plastic Lock housing
- Mostly for the private locks, with Scramble-Locking function
- 4 字轮变号功能
- 紧急解锁
- 前方寻号功能
- 固定变号, 适用于单一用户, 搭配自由锁舌 (乱号时亦可上锁)
- 可作为门把使用



Fixable with **M19 hole**

AL0300

- 4 dials resettable combination (plastic dials)
- Mostly for the public locks (multi-users) for free code selection
- Additional Master Key function for emergency access
- Decode function in front
- Plastic Lock housing
- 4 字轮变号功能
- 紧急解锁
- 前方寻号功能
- 自由变号, 适用于多用户 (每次开锁后需重置密码)
- 可作为门把使用



AL0306

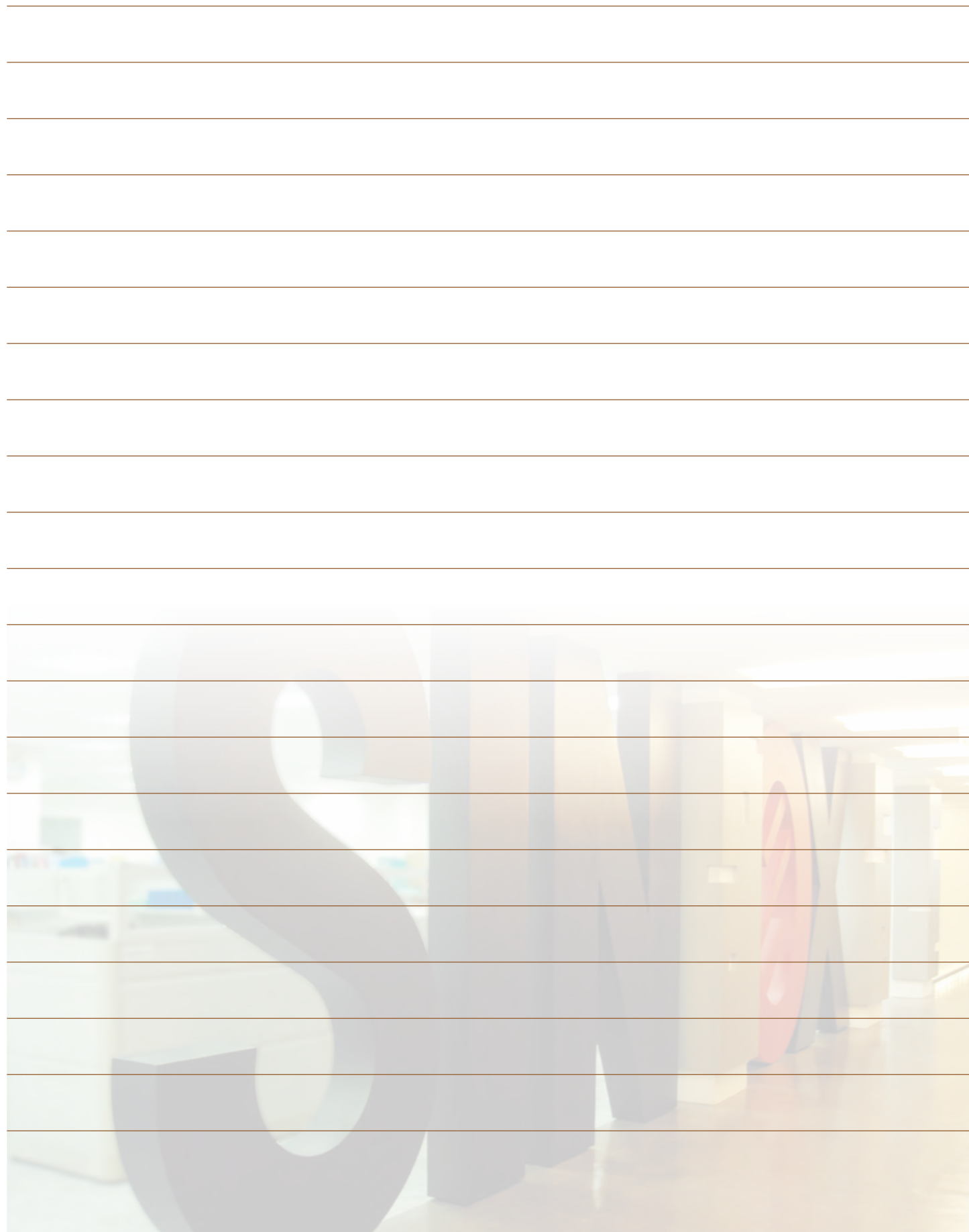
- 4 dials resettable combination (Zinc Alloy dials)
- Additional Master Key function for emergency access
- Reset Code in front with the Reset Button
- Decode function in front
- Zinc Alloy Lock housing
- Mostly for the private locks, with Scramble-Locking function
- 4 字轮变号功能
- 紧急解锁
- 前方寻号功能
- 固定变号, 适用于单一用户, 搭配自由锁舌 (乱号时亦可上锁)
- 可作为门把使用
- 具有凸出变号钮 (不需使用工具)



AL1001

- 4 dials resettable combination (plastic dials)
- Additional Master Key function for emergency access
- Mostly for the public locks (multi-users) for free code selection
- Decode function in front
- Zinc Alloy Lock housing
- 4 字轮变号功能
- 紧急解锁
- 前方寻号功能
- 自由变号, 适用于多用户 (每次开锁后需重置密码)
- 可作为门把使用





5

电子锁与RFID隐形锁
Electronic Locks
RFID Invisible Lock



AL7001



- Private Mode / Public Mode switchable
- Private Mode can set 1~6 digits password / Public Mode can set 4 digits password
- Bigger number buttons for easy operation
- Locked (Red) / Unlock (Green) indicator for easier recognize the operation condition
- Master key for emergency opening and also for resetting the different modes
- Anti-theft featured with a Free-Turning knob
- Low battery warning
- Battery AAA x 2pcs
- Comply with CE and IP55

- 可切换 Private Mode 或 Public Mode
- Private Mode 可设置 1~6 位密码 / Public Mode 可设置 4 位密码
- 大数字按钮，便于按压
- 指示颜色易于识别，上锁（红色）/ 解锁（绿色）
- Master key 可以紧急解锁及切换不同模式
- 空转防盗机制
- 低电量警示
- 电池：2 颗 AAA 电池
- 符合国际防护等级认证 CE 和 IP55

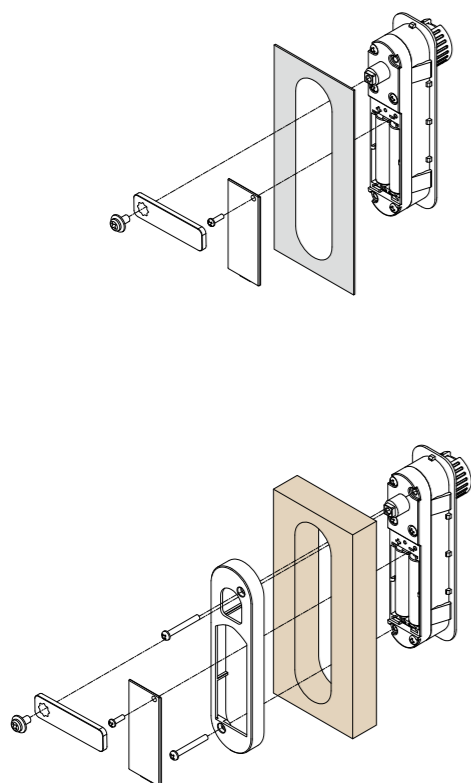


AL7001 (R)

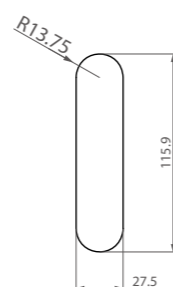


AL7001 (V)

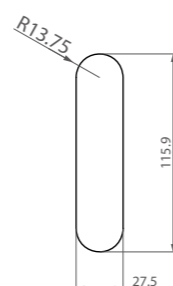
Installation / 安装



Panel thickness / 板厚: 1mm, 3-7mm
drilling template 挖孔尺寸:



Panel thickness: 18-22mm
drilling template 挖孔尺寸:



AL7002

- 4~8 digits for user code
- Accessed with emergency opening
- Low battery warning
- Battery: AAA x 2 pcs
- Compliant with CE
- For single user

- 用户码 4~8 码
- 紧急解锁
- 低电量警示
- 电池：2 颗 AAA 电池
- 符合国际防护等级认证 CE
- 适用于单一用户

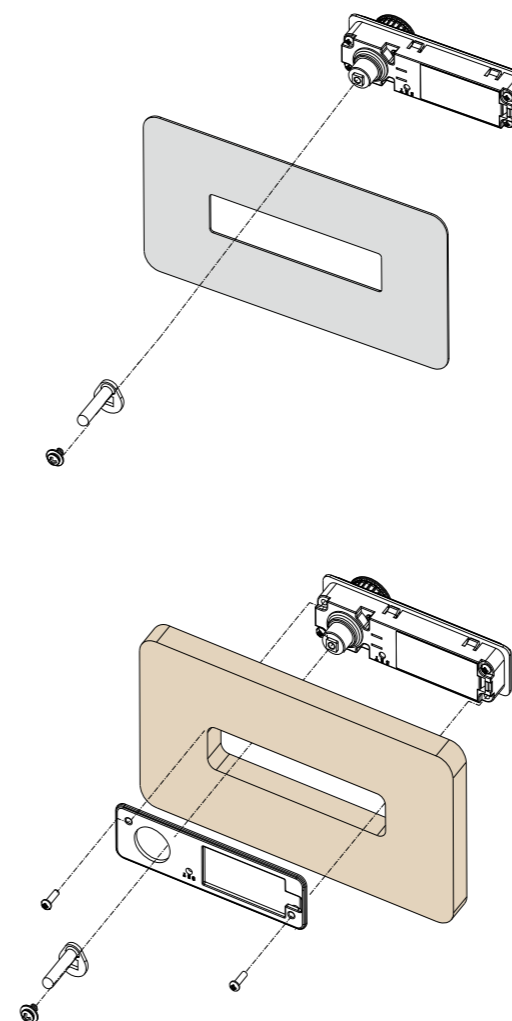


AL7002 (L)

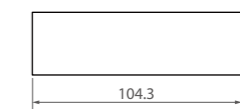


AL7002 (U)

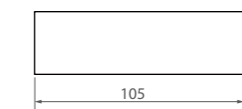
Installation / 安装



Panel thickness / 板厚: 0.8-1.2mm
drilling template 挖孔尺寸:



Panel thickness / 板厚: 16-18mm
drilling template 挖孔尺寸:



AL7003 RFID INVISIBLE CABINET LOCK

- Smart Keyless RFID lock with 2 Master Card.
- The same RF card like labor card or home card can be set as the user's card.
- Company or Medical staffs can use their own identification card to open and close the cabinets, easy to operate.
- Power: 3 standard AAA alkaline batteries (NOT included)
- No need to drill the additional hole, easy fixing on the back of cabinet panel.

- 智能 RFID 隐形锁，搭配 2 张 Master Card
- 同一张 RF 卡，如员工卡或家用卡，可设定为用户卡
- 公司或医疗人员可以使用自己的识别证打开和关闭柜子，操作方便
- 电源：3 颗标准 AAA 碱性电池（不含在产品中）
- 无需钻孔，即可轻松固定在柜子上
- 自动伸缩锁舌设计
- 适用于木柜



AL7005

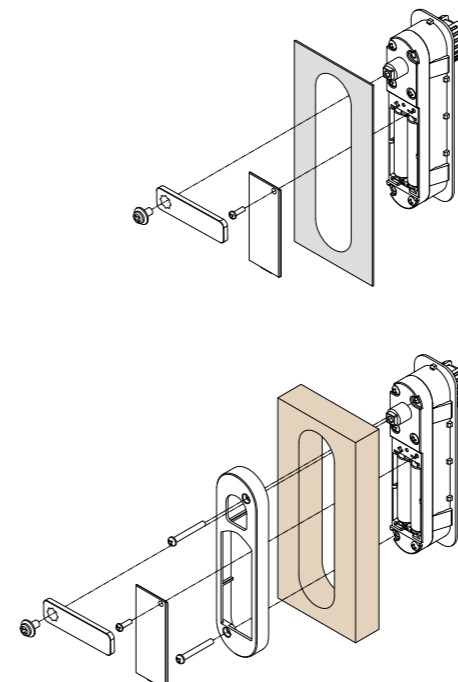
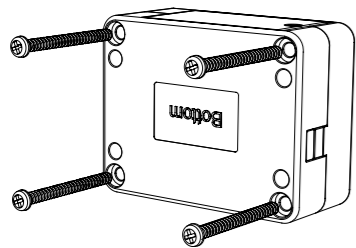
- Mifare 13.56MHZ
- With Master Key for emergency opening.
- 2 non-programming cards
- Lock housing: ABS in matte black housing with LED
- Power supply: 3 standard AAA alkaline batteries
- With Anti-Theft featured with a Free turning knob.
- Locked(Red) / Unlock (Green) indicator for easier recognize the operation condition
- With Surface Mounted design for M19 hole.
- With Flush-Fit Design for max. 22mm cabinet panel.

- Mifare 13.56MHZ
- 有管理者钥匙可紧急开锁
- 二张管理卡，可以使用额外的卡和 / 或支持 NFC/RFID 的智能手机
- 旋钮有红绿开闭锁指示，并具有专利可防强转破坏的功能
- 使用三号电池，可开闭锁 3000 次
- LED 操作功能和低电压警示
- 适用于木柜和铁柜
- 可挖孔全埋入式安装，或加上底座后安装于 M19 孔

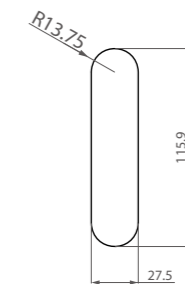


Installation / 安装

Installation / 安装



Panel thickness / 板厚: 1mm, 3-7mm
drilling template 挖孔尺寸:



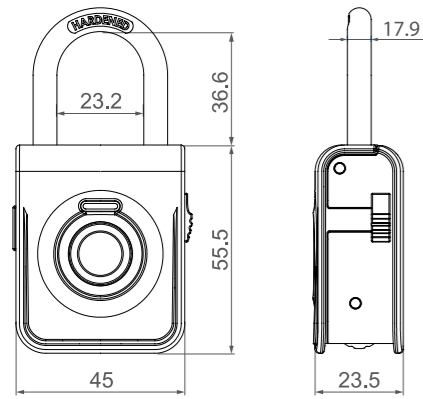
Panel thickness: 18-22mm
drilling template 挖孔尺寸:

PL7002



- Supports up to 30 fingerprints for multi-user access
- Unlocks with your fingerprint
- Backup access using combinations on the bottom of lock
- USB-C charging delivers long lasting battery life on a single charge
- CE/FCC Certification
- IP Rating:IP55

- 可录制多达 30 枚指纹，供多用户使用
- 使用指纹解锁
- 可变号 4 码密码供紧急解锁
- USB-C 充电，于满电状态下，可多次使用
- 符合 CE/FCC 认证
- IP 等级 :IP55



Shackle size 锁钩尺寸 : \varnothing 6.3 mm
Size 尺寸 : W45 x D24 x H92 mm



key & combination version are available



- a** 17 keys
W145.5 x D41.3 x H195 mm
- b** 6 keys
W150.5 x D41.3 x H115.5 mm
- c** 20 keys
W155 x D60 x H195 mm
- d** 4 keys
W118x D72 x H152 mm



- e** 60 keys
W250 x D90 x H370 mm
- f** 40 keys
W215 x D90 x H325 mm
- g** 30 keys
W215 x D60 x H325 mm
- h** 20 keys
W195 x D60 x H282 mm



mail box
W360x D120 x H391 mm



cash box
W300x D80 x H230 mm

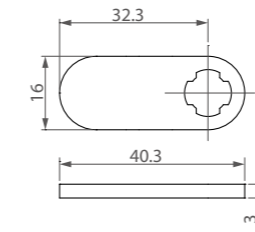


cash box
W358x D110 x H273 mm

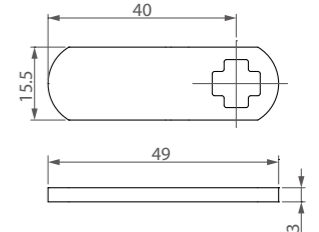


80 keys
W260x D95 x H360 mm

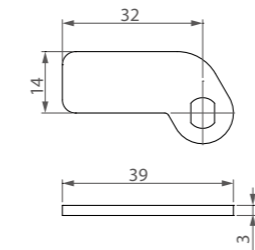
Straight Cam / 直锁舌 1
4A7000004



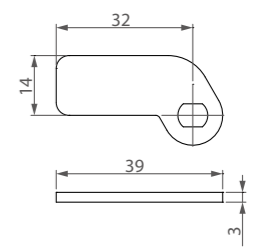
Straight Cam / 直锁舌 2
4A7000013



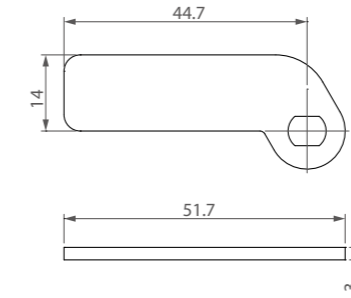
Straight Cam / 直锁舌 3
4A7000025



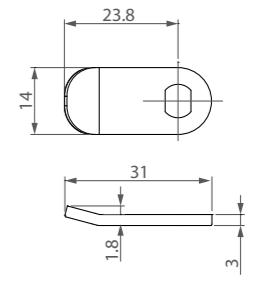
Straight Cam / 直锁舌 4
4A7000024



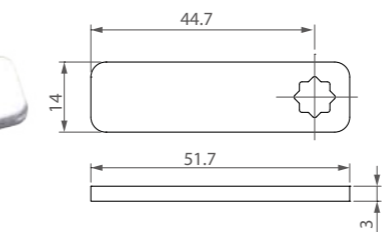
Straight Cam / 直锁舌 5
4A7000026



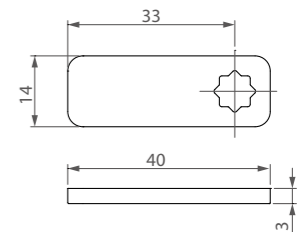
Straight Cam / 直锁舌 6
4A7000028



Straight Cam / 直锁舌 7
4A7000030

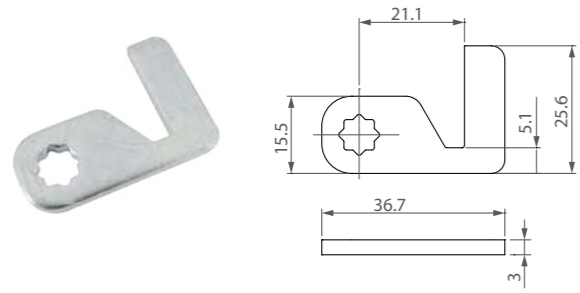


Straight Cam / 直锁舌 8
4A7000036



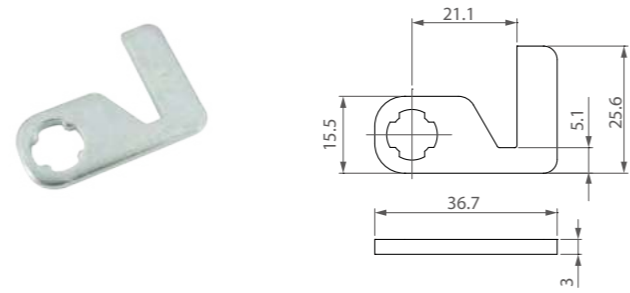
Straight Cam / 直锁舌 9

4A70000019



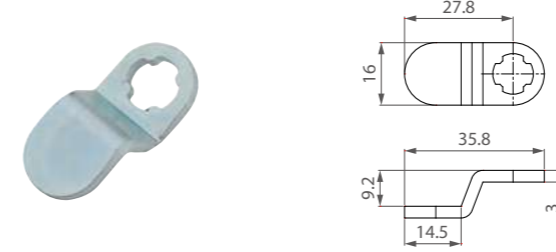
Straight Cam / 直锁舌 10

4A70000049



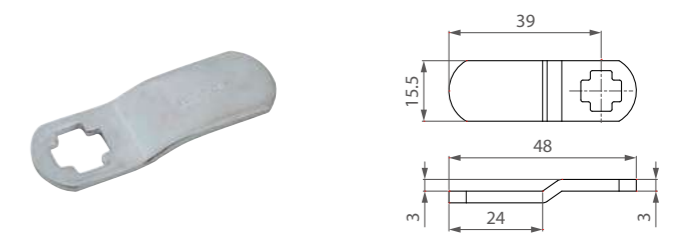
Crank Cam / 弯锁舌 1

4A70000003



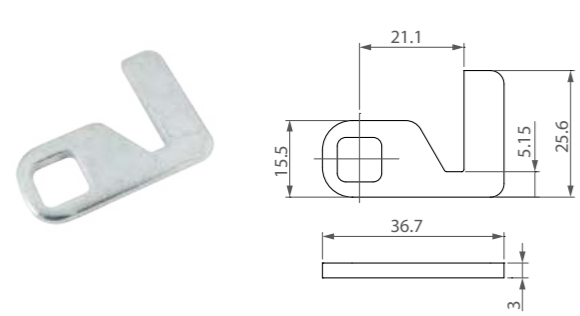
Crank Cam / 弯锁舌 2

4A70000014



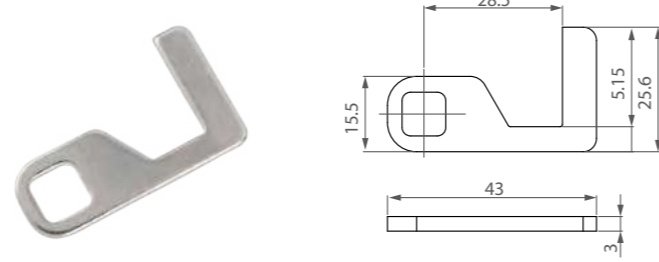
Straight Cam / 直锁舌 11

4A70000020



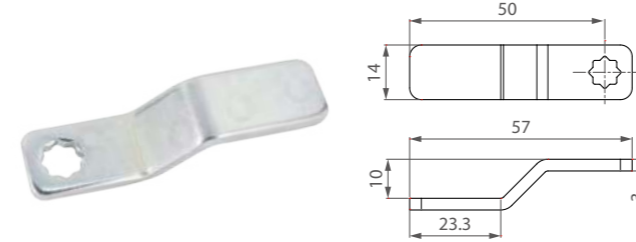
Straight Cam / 直锁舌 12

4A70003001



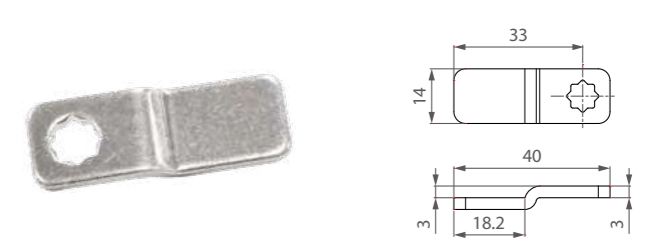
Crank Cam / 弯锁舌 4

4A70000000



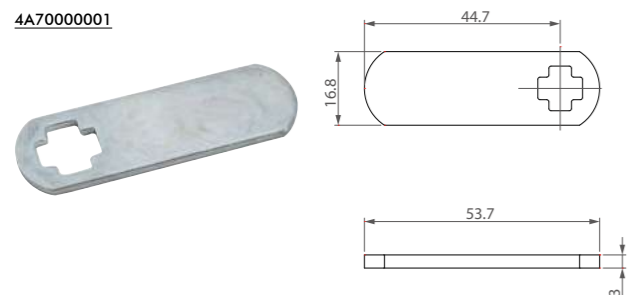
Crank Cam 5 / 弯锁舌

4A70000038



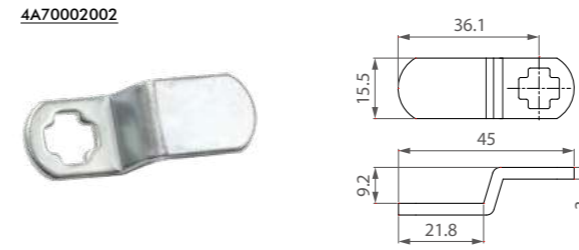
Straight Cam / 直锁舌 13

4A70000001



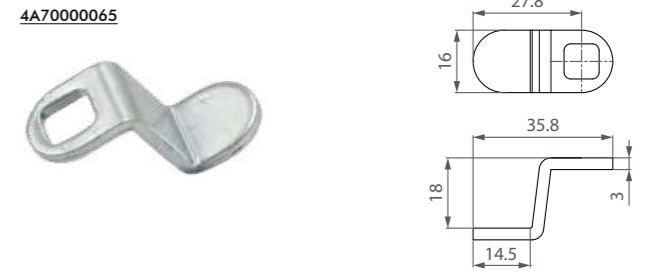
Crank Cam / 弯锁舌 6

4A70002002



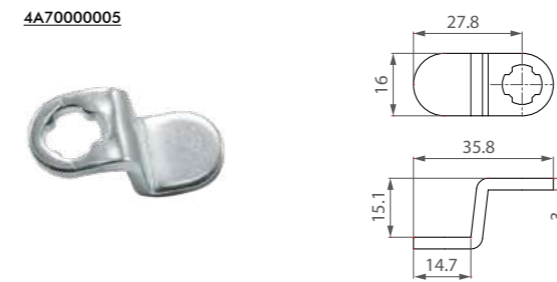
Crank Cam / 弯锁舌 7

4A70000065



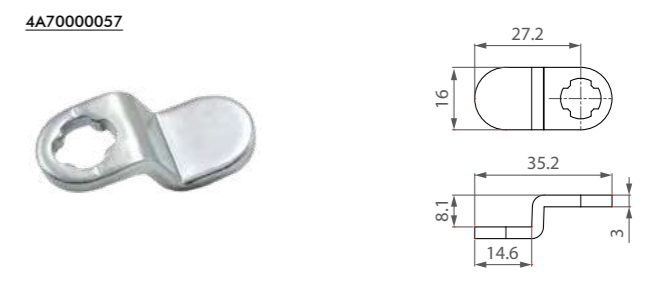
Crank Cam / 弯锁舌 8

4A70000005



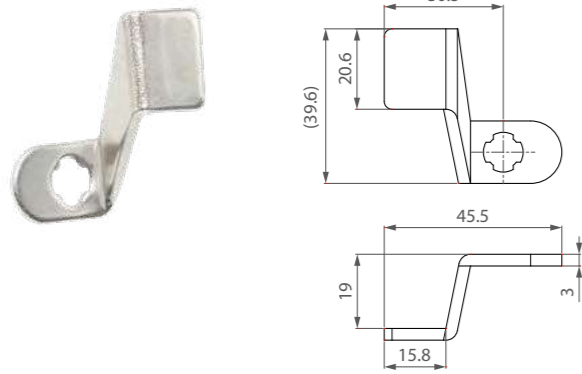
Crank Cam / 弯锁舌 9

4A70000057



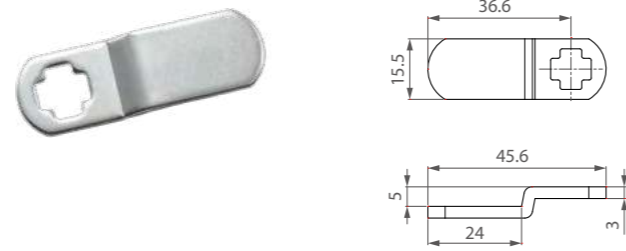
Crank Cam / 弯锁舌 10

4AL222A7005N0000



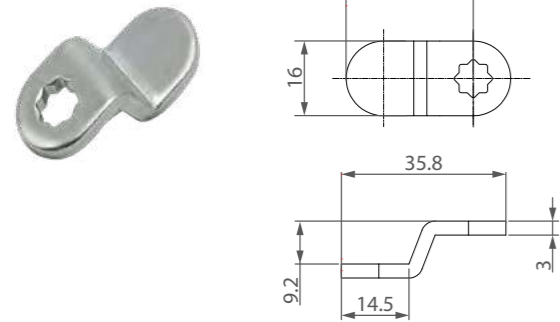
Crank Cam / 弯锁舌 11

4A70000066



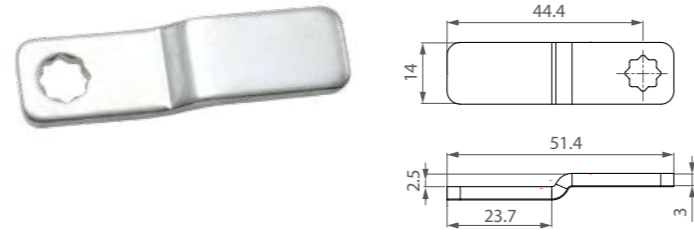
Crank Cam / 弯锁舌 12

4A70003005



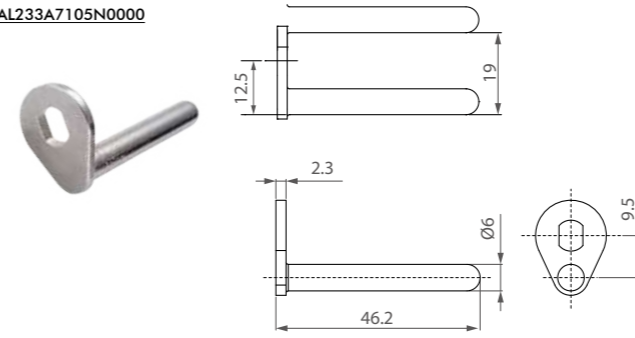
Crank Cam / 弯锁舌 13

4A70000032



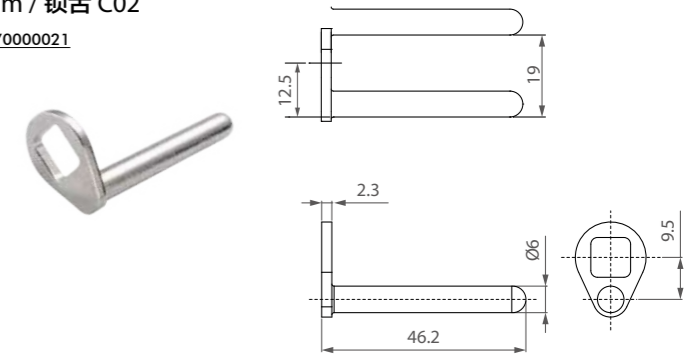
Cam / 锁舌 C01

4AL233A7105N0000



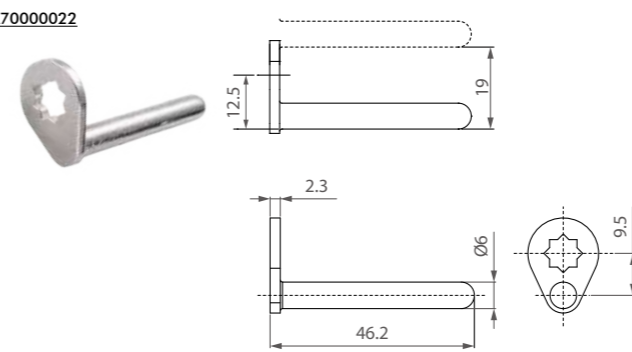
Cam / 锁舌 C02

4A70000021



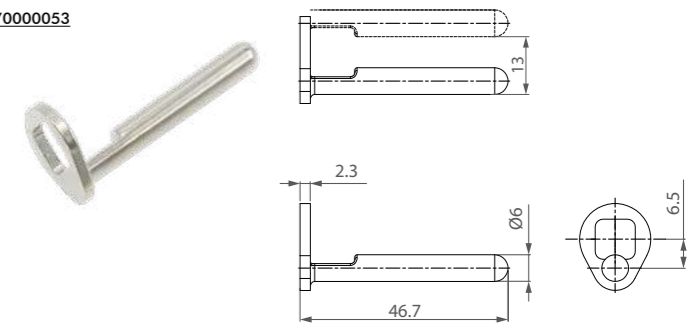
Cam / 锁舌 C03

4A70000022



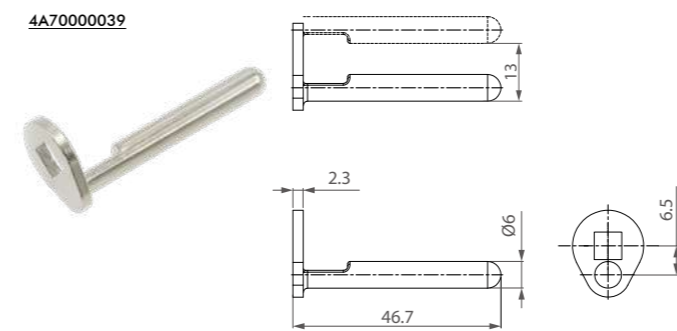
Cam / 锁舌 C04

4A70000053



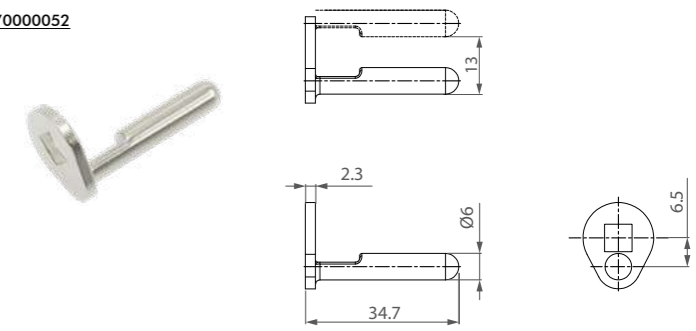
Cam / 锁舌 C05

4A70000039



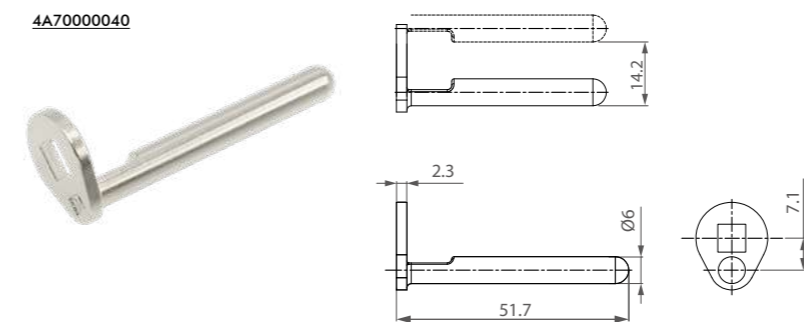
Cam / 锁舌 C06

4A70000052



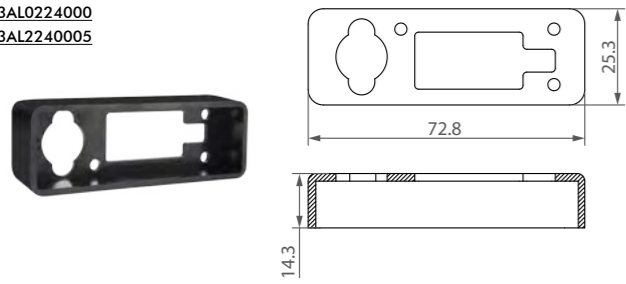
Cam / 锁舌 C07

4A70000040



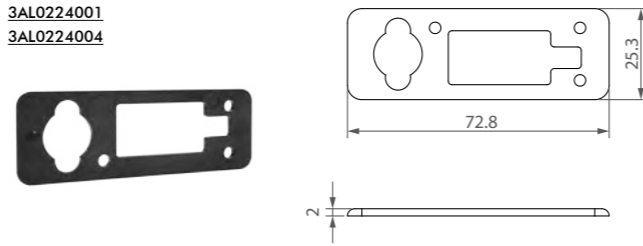
Back Plate / 固定座 224-A

3AL0224000
3AL0224005



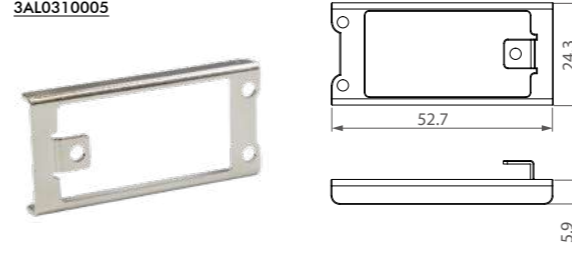
Back Plate / 固定座 224-B

3AL0224001
3AL0224004



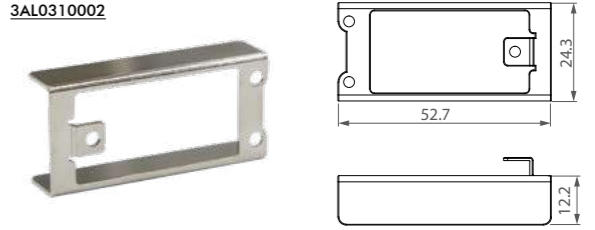
Back Plate / 固定座 310-B

3AL0310005



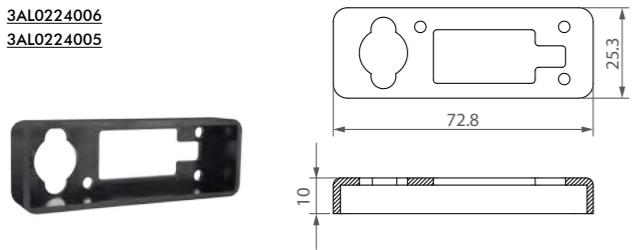
Back Plate / 固定座 310-C

3AL0310002



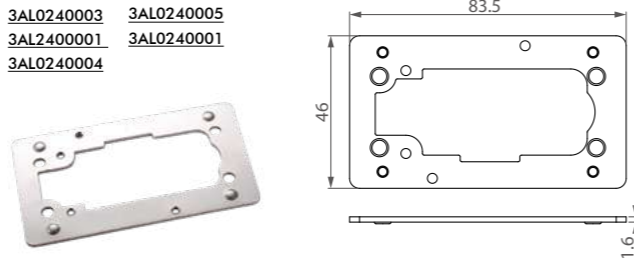
Back Plate / 固定座 224-C

3AL0224006
3AL0224005



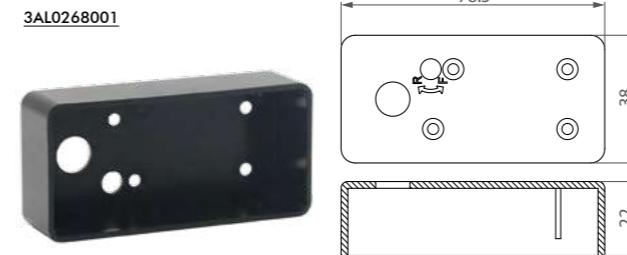
Back Plate / 固定座 240

3AL0240003 3AL0240005
3AL2400001 3AL0240001
3AL0240004



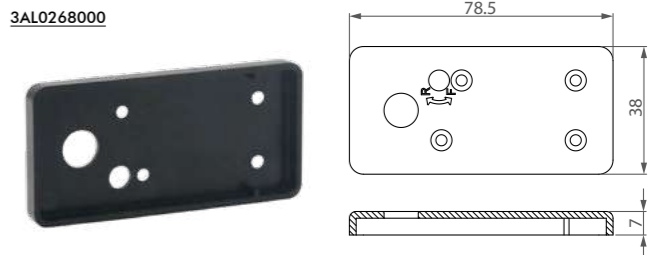
Back Plate / 固定座 268-A

3AL0268001



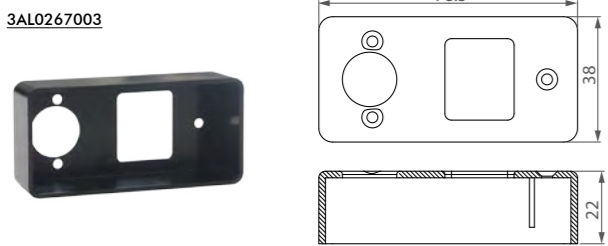
Back Plate / 固定座 268-B

3AL0268000



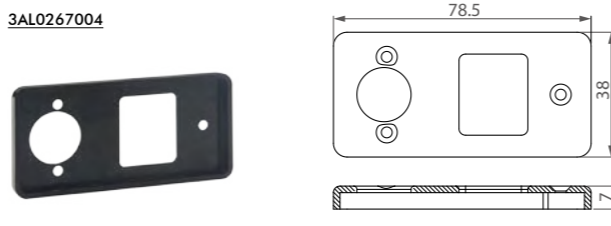
Back Plate / 固定座 267-A

3AL0267003



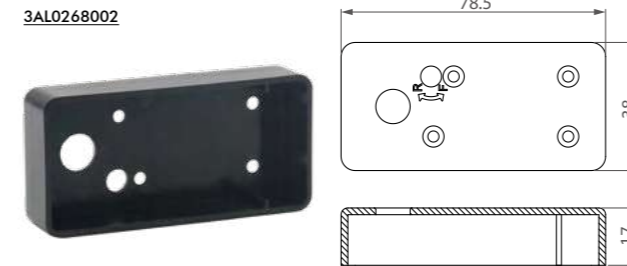
Back Plate / 固定座 267-B

3AL0267004



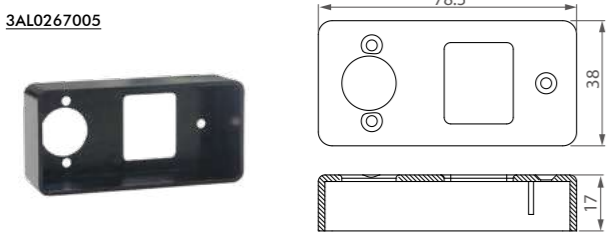
Back Plate / 固定座 268-C

3AL0268002



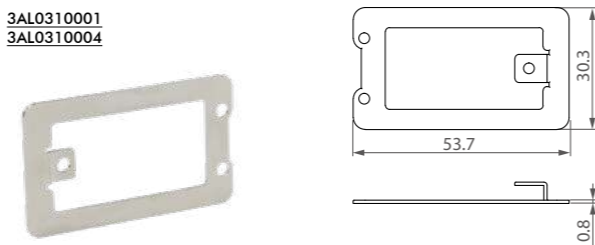
Back Plate / 固定座 267-C

3AL0267005



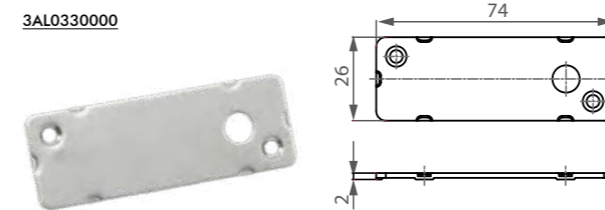
Back Plate / 固定座 310-A

3AL0310001
3AL0310004



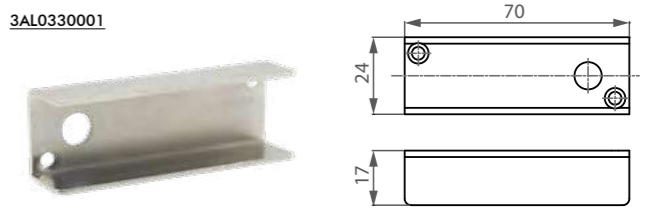
Back Plate / 固定座 330-A

3AL0330000



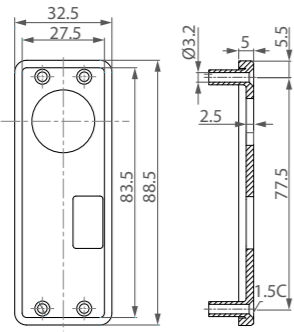
Back Plate / 固定座 330-B

3AL0330001

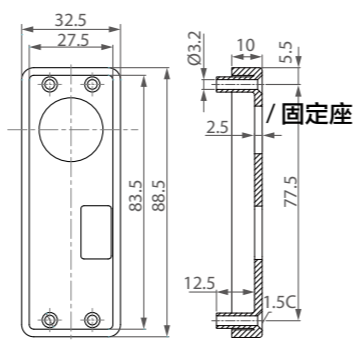


Accessories

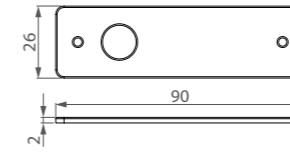
Back Plate / 固定座 269-B
3AL0269000



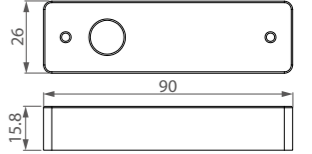
Back Plate / 固定座 269-C
3AL0269001



Back Plate / 固定座 2001-A
3AL2001001
3AL2001003

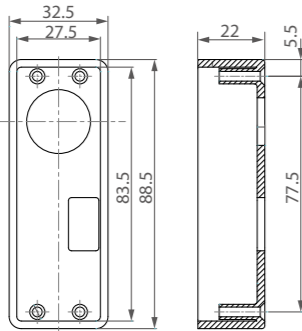


Back Plate / 固定座 2001-B
3AL2001002

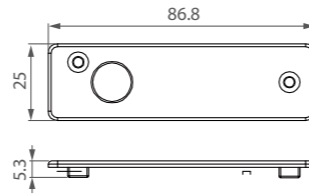


Accessories

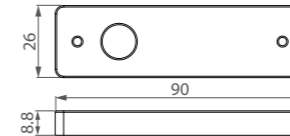
Back Plate / 固定座 269-D
3AL0269002



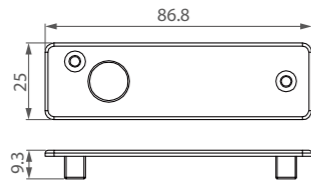
Back Plate / 固定座 312-A
3AL0312000



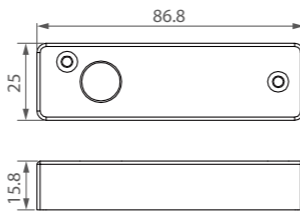
Back Plate / 固定座 2001-C
3AL2001301



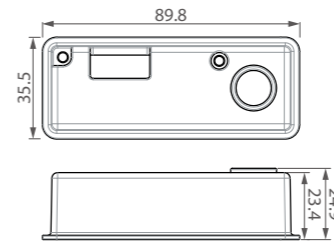
Back Plate / 固定座 312-B
3AL0312001



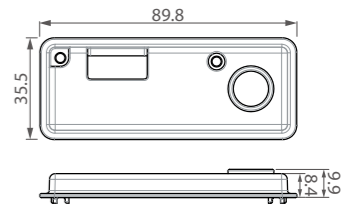
Back Plate / 固定座 312-C
3AL0312002



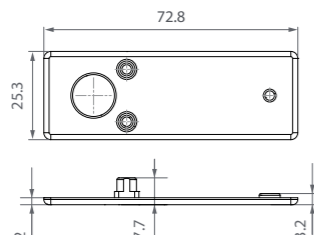
Back Plate / 固定座 260-A
3AL0260000



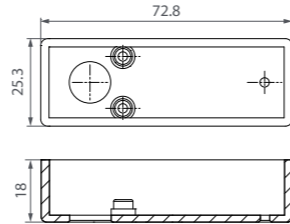
Back Plate / 固定座 260-B
3AL0260001



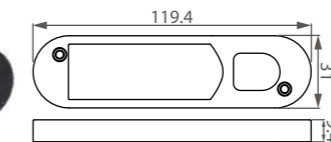
Back Plate / 固定座 311-A
3AL0311000



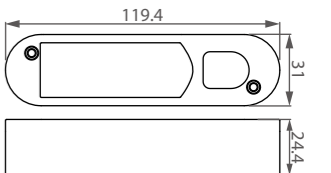
Back Plate / 固定座 311-B
3AL0311001



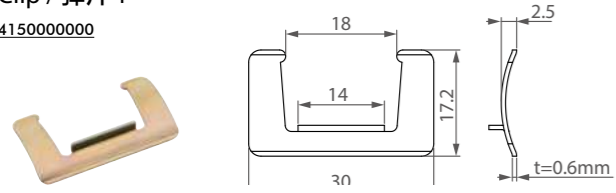
Back Plate / 固定座 7001-A
3AL7001006



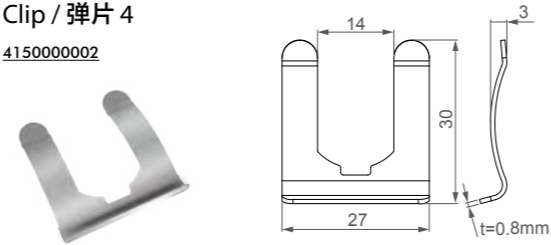
Back Plate / 固定座 7001-B
3AL7001007



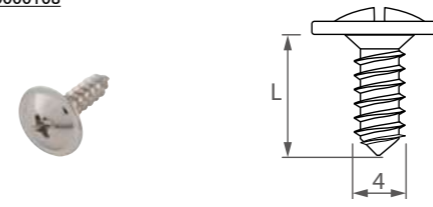
Clip / 弹片 1
415000000



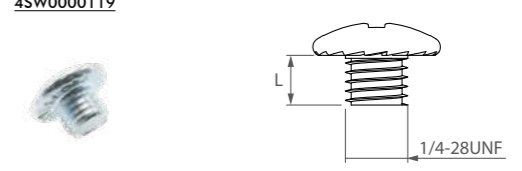
Clip / 弹片 4
415000002



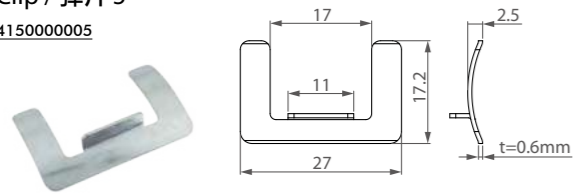
Screw / 螺丝 2
4SW0000108



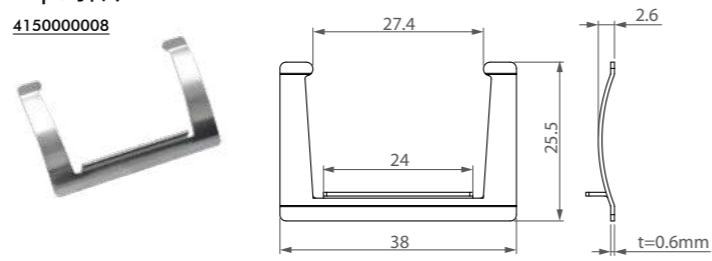
Screw / 螺丝 4
4SW0000119



Clip / 弹片 5
415000005

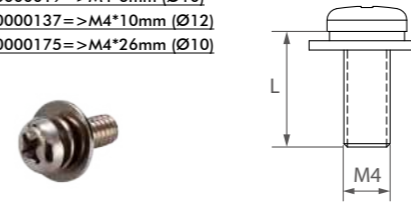


Clip / 弹片 6
415000008

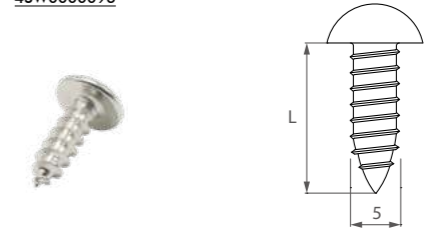


Screw / 螺丝 8

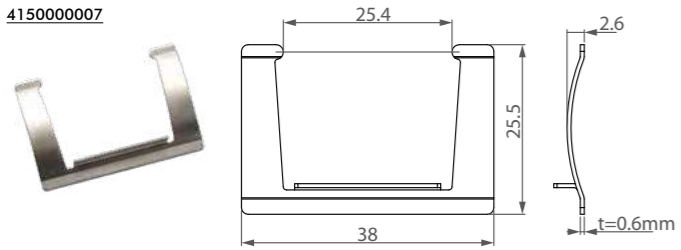
4SW0000020=>M4*8mm (Ø10)
4SW0000019=>M4*6mm (Ø10)
4SW0000137=>M4*10mm (Ø12)
4SW0000175=>M4*26mm (Ø10)



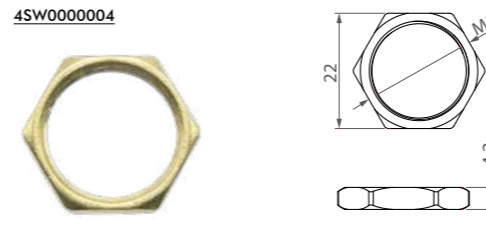
Screw / 螺丝 14
4SW0000096



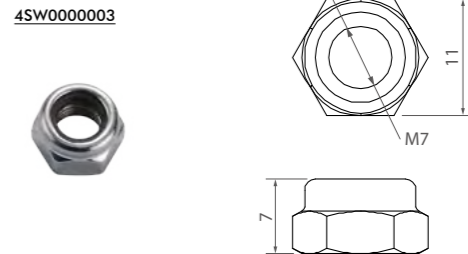
Clip / 弹片 8
415000007



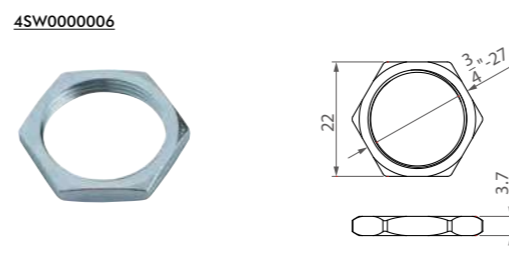
Hex Nut / 螺母 1
4SW0000004



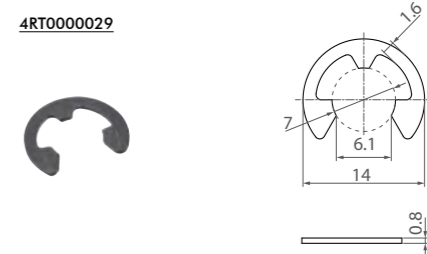
Hex Nut / 螺母 3
4SW0000003



Hex Nut / 螺母 4
4SW0000006

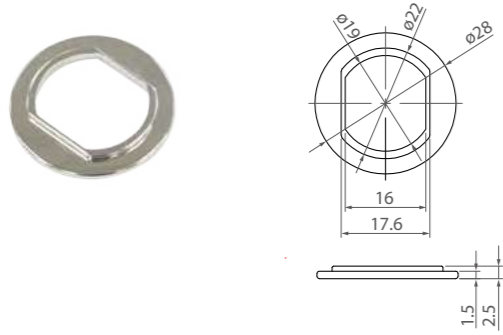


Fixing Ring / E 型扣环
4RT0000029



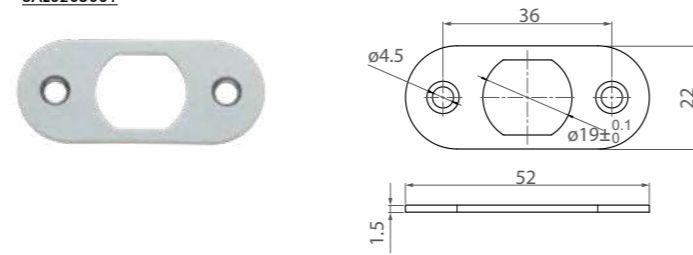
Washer / 垫圈 2 (M19 to M22 adaptor)

4530003001



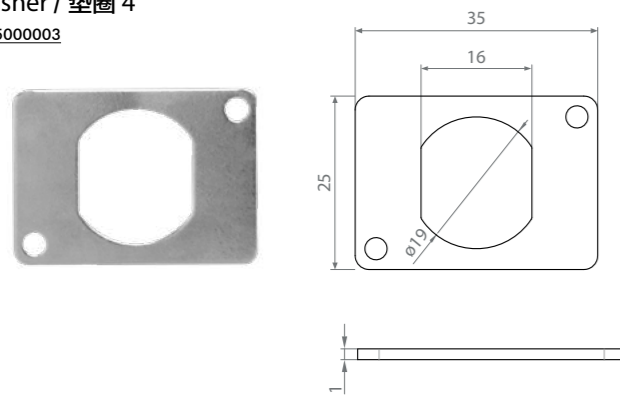
Washer / 垫圈 3

3AL0205001



Washer / 垫圈 4

3AL5000003



Spacer / 垫片 1

- #A1: 4520000116=> L: 2.7 mm
- #A2: 4520000014=> L: 4.7 mm
- #A3: 4520000015=> L: 6.7 mm
- #A4: 4520000155=> L: 8.7 mm
- #A5: 4520000156=> L: 10.7 mm
- #A6: 4520000157=> L: 14.7 mm



Spacer / 垫片 2

- #A1: => L: 2.7 mm
- #A2: => L: 4.7 mm
- #A3: => L: 6.7 mm
- #A4: => L: 8.7 mm
- #A5: => L: 10.7 mm
- #A6: => L: 14.7 mm



Spacer / 垫片 3

- #A1: => L: 2.7 mm
- #A2: => L: 4.7 mm
- #A3: => L: 6.7 mm
- #A4: => L: 8.7 mm
- #A5: => L: 10.7 mm
- #A6: => L: 14.7 mm

