

SINOX

Innovation Is What We Breathe



Contents

Retractable Cable Locks	<i>Page</i>	4
Lock Boxes & Safes	<i>Page</i>	12
Versatile Cable Locks	<i>Page</i>	18
Portable Safes	<i>Page</i>	28
Padlocks	<i>Page</i>	34
Patents	<i>Page</i>	40

SINOX

Innovation, Service, and Quality

Established in 1978 by a team of aerospace engineers, Sinox has since grown into a world renowned security lock manufacturer distinguished for its innovative design, and manufacturing of quality products.

Over 40 years of experience supported by a team of 50 designers and engineers, our products have won much acclaim among our global clients. Here we introduce our 6 major product categories and clients in each category:



THE WORLD COMES TO US FOR SECURITY

Sports & Outdoor Security



Office NB & 3C Security



Two Wheel Security



Travel & Luggage Security



Household Storage Security



Cabinets Security



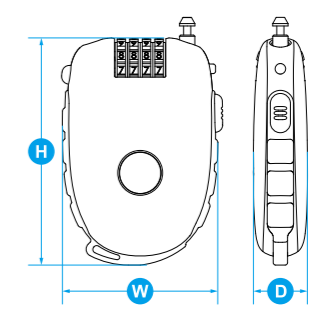
Retractable Cable Locks

Best for Skiing / Snowboarding / Baby Stroller / Backpacks



TL0981

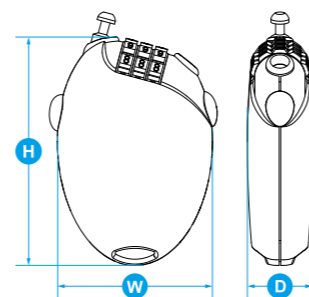
- Cable size: Ø1.6 x L1200 mm (TL0981A)
Ø2.4 x L 900 mm (TL0981B)
Ø3.0 x L 600 mm (TL0981C)
- W67.4 x D22.6 x H95 mm
- Housing material: ABS





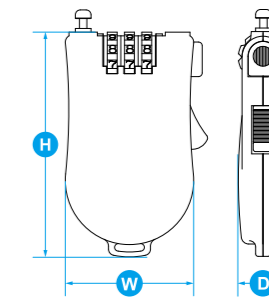
TL0956

- Cable size: Ø1.6 x L730 mm
- W54 x D21 x H72.5 mm
- Housing material: ABS



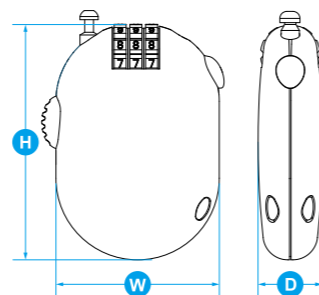
TL0961

- Cable size: Ø1.6 x L1200 mm
- Lock spec: W52 x D20 x H91 mm
- Housing material: ABS



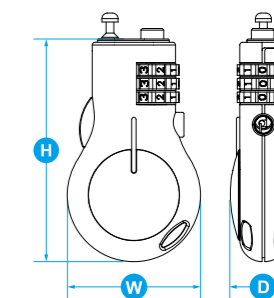
TL0957

- Cable size: Ø1.6 x L730 mm
- W52 x D20.5 x H75 mm
- Housing material: ABS



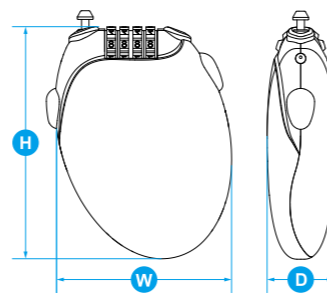
TL0984

- Cable size: Ø1.6 x L730 mm
- Lock spec: W48.2 x D23 x H80.2 mm
- Housing material: ABS



TL0996

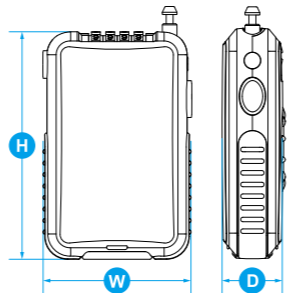
- Cable size: Ø2.0 x L1800 mm (TL0996A)
Ø2.4 x L1350 mm (TL0996B)
Ø3.0 x L 900 mm (TL0996C)
- W74.4 x D27 x H93.3 mm
- Housing material: ABS





TL0991

- Cable size: Ø2.4 x L1350 mm
- Lock spec: W64.4 x D27.1 x H99 mm
- Housing material: ABS + TPR

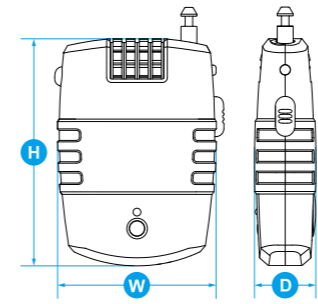


Optional Accessories Bracket WL0972



RL0776

- Cable size: Ø2.0 x L600 mm
- W63 x D24.5 x H91.2 mm
- Housing material: ABS



Motion detecting trigger alarm



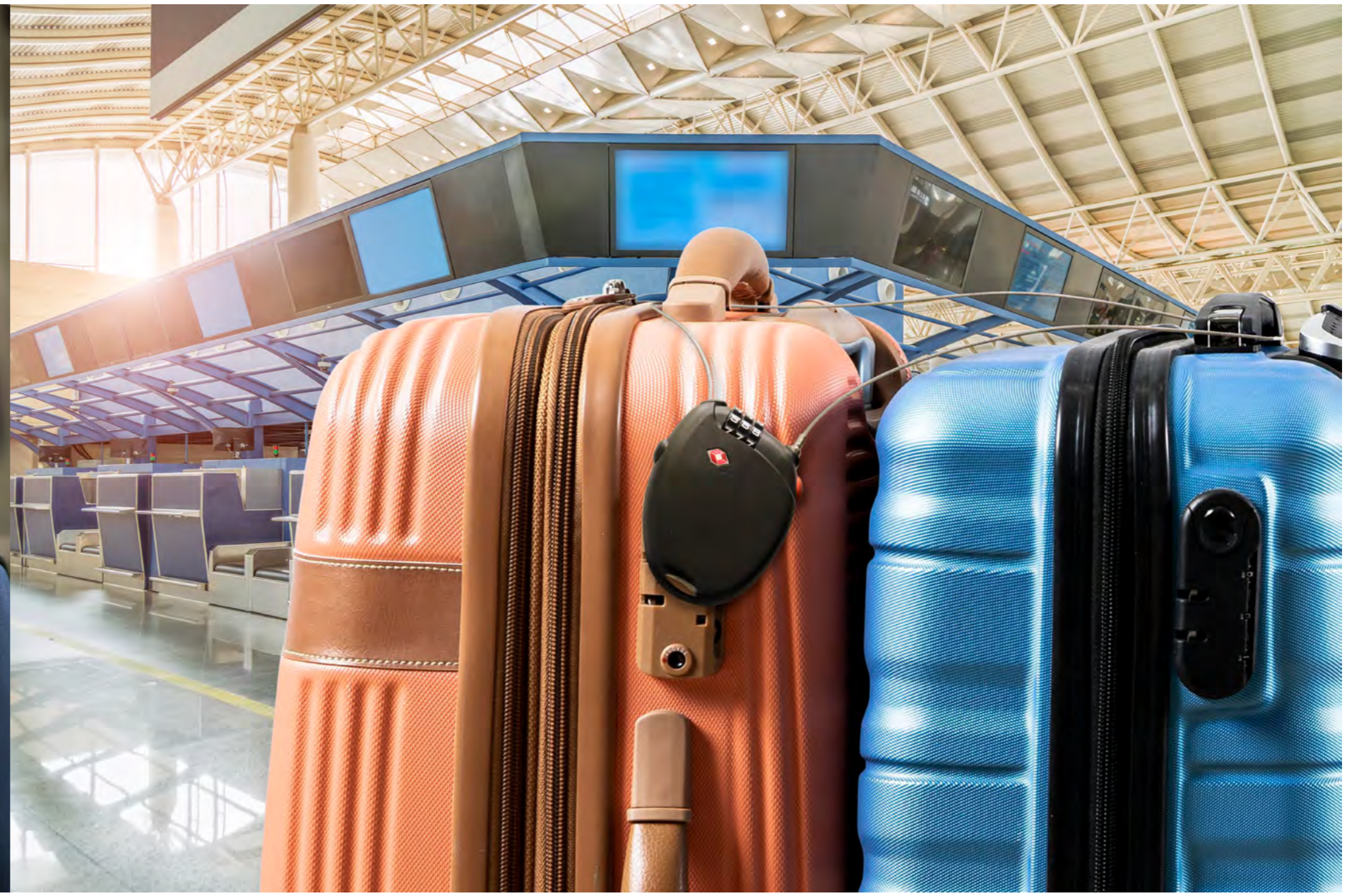
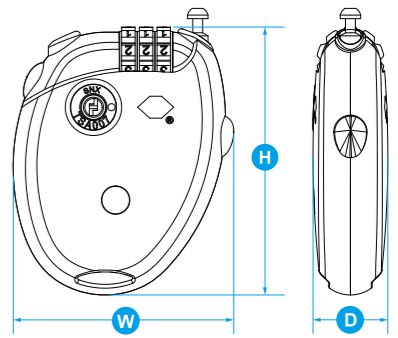
Traveling & Luggage TSA Padlocks

- Travel Sentry approved lock allows your luggage to be opened, inspected and relocked without damage.
- Self-Retracting cable for easy storage.
- Convenient and light weight locking device for luggage.
- Versatile application and usage cable Lock, recommended for quick release components and accessory lock-ups
- Cable Length is adjustable depend on your need
- Stylish design with glossy and matt casing



TL1001

- Cable size: Ø1.6 x L780 mm
- Lock spec: W62.3 x D21 x H76 mm
- Housing material: ABS



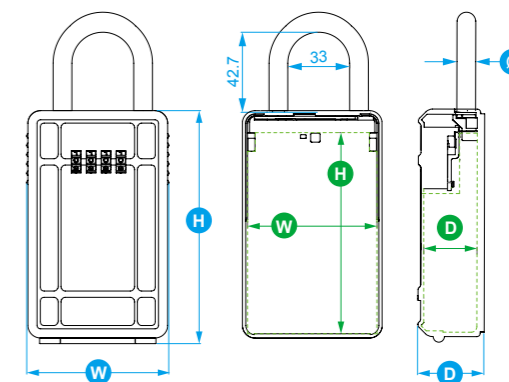
Lock Boxes & Safes

Best for Surfing / Car Dealers / Security Gates & Fences



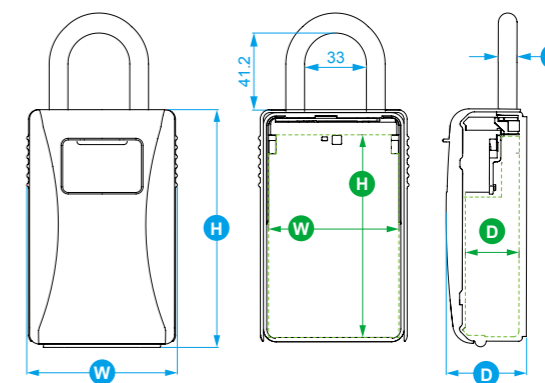
OS1003

- Signal blocking storage
- Material: Nylon Fabric
- Dimensions: W80 x H100 mm



PL0974A

- Shackle size: Ø10 mm
- W75 x D35.6 x H125 mm
- Inner size: W69.5 x D28.6 x H108 mm



PL0974B

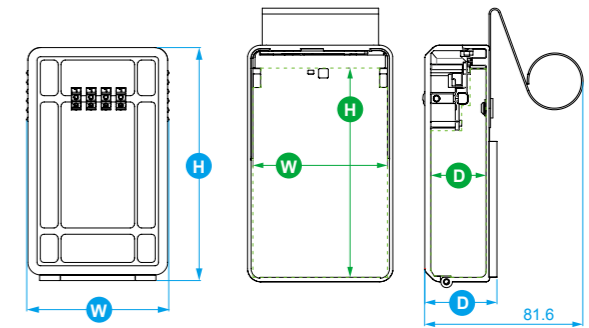
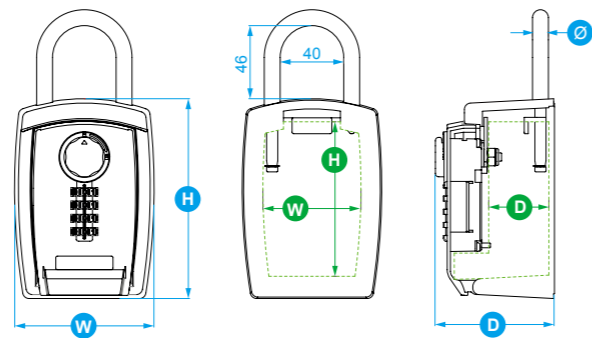
- Shackle size: Ø10 mm
- W80.2 x D42.9 x H126.6 mm
- Inner size: W69.5 x D28.6 x H108 mm



- Surf lock box ideally secures car key and valuables while doing sports
- Set your own combination for keyless convenience and increased security
- Vinyl coated shackle prevents scratches to your door
- Applications: over the car door handle or wheel (w/ shackle)

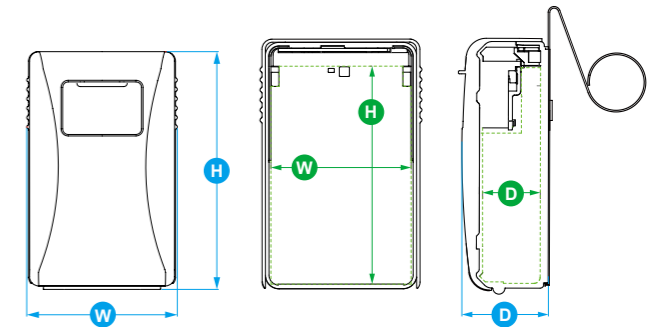
PL0962

- Shackle size: Ø10 mm
- W87.6 x D75 x H125.7 mm
- Inner size: W61 x D38 x H97 mm
- Lock body: Aluminum Alloy Housing



PL0973AW

- W75 x D34.45 x H124.8 mm
- Inner size: W69.5 x D28.6 x H108 mm

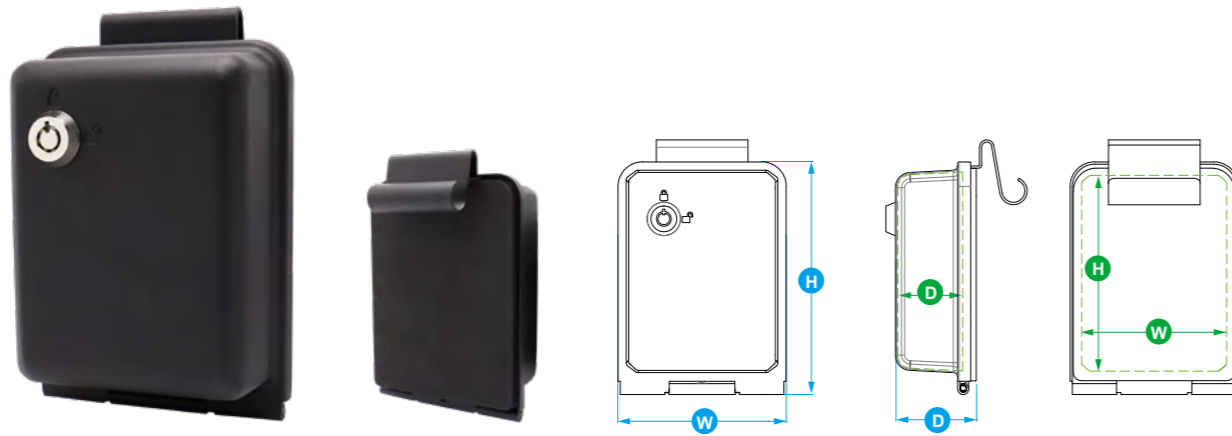


PL0973BW

- W80.2 x D42.9 x H126.6 mm
- Inner size: W69.5 x D28.6 x H108 mm

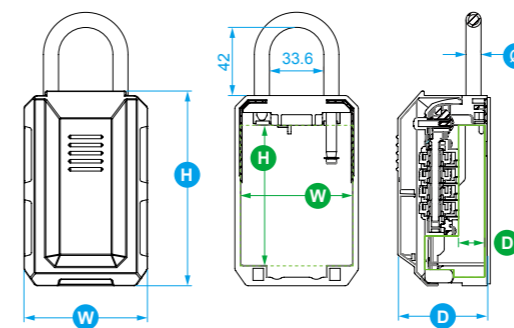


- Flexible Locking Solutions (Key Alike / Unique Key / Master Key system)
- Foam spacer design for scratch-resistance to car window
- Large Capacity for multiple keys and access cards
- Material: Metal



KB6001

- W110 x D84 x H163 mm
- Inner size: W90 x D40 x H130 mm



PL0965

- Shackle size: Ø9.5 mm
- W76.5 x D58.25 x H120.5 mm
- Inner size: W69.5 x D16.5 x H87 mm



Versatile Cable Locks

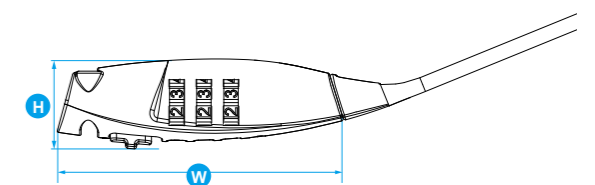
*Best for Ideal for Recreations / Gardening / Barbecue /
Canoes / ATVs & All Terrain Equipment*



- Ultra-lightweight and small yet provide reliable security for mid-stop
- A cutting-edge design in security with a multitude of applications
- Optimal locking range
- 3-digit resettable combination design
- Easy read dials

DL1002

- W69.5 x D12.1 x H22.4 mm
- Flat steel with plastic sheath (L460 mm)
- Cable size: W11 x H3.7 mm
- Material: Zinc Alloy Housing

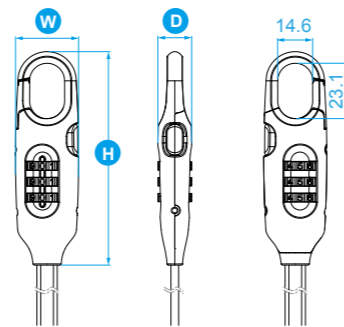


- Dual steel cable for higher cut resistance and security
- Compact and durable makes easy storage in any condition
- Ultra-lightweight and small yet provide reliable security in multipurpose
- 3-digit resettable combination design
- Easy read dials



PL3001

- W26.3 x D14.1 x H89 mm
- Cable size: T3 x W8 x L900 / 1800 mm



- Compact and durable makes easy storage in any condition
- Ultra-lightweight and small but offers dependable security for multipurpose
- Corrosion-resistant and scratch-resistant cable
- 3-digit resettable combination design
- Easy read dials



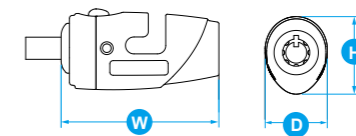
PL3002

- W26.3 x D14.1 x H89 mm
- Cable size: Ø4.8 x L900 / 1800 mm



RL0642

- Cable size: Ø6 x L2600 mm
Ø8 x L1800 mm (with adaptor)
- W57 x D22.5 x H28 mm
- Housing material: Zinc Alloy

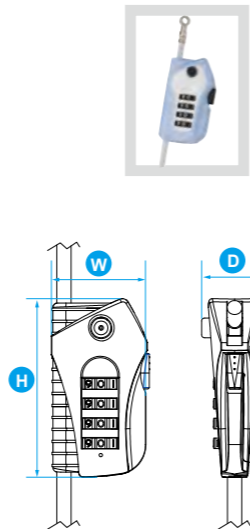


- Patented adjustable locking mechanism holds cable tight at any position for perfect fit
- Multipurpose application for home, travel, bike and other activities
- Highly flexible locking way by either single or double loop
- Total solution for locking various objects at once
- Velcro strap holds excess cable for compact storage



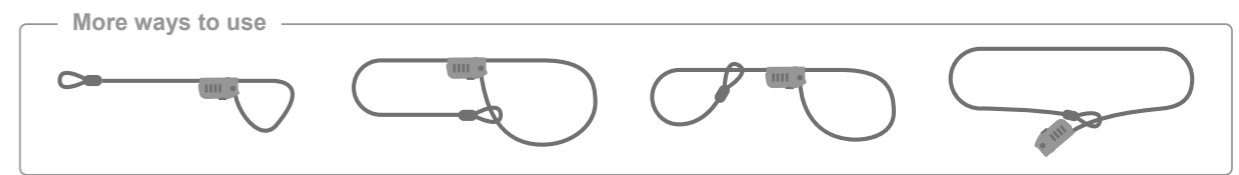
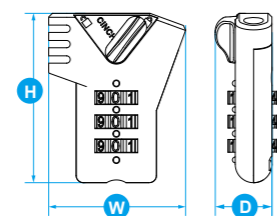
RL0645 / RL0646

- Cable size: Ø4.8 x L2000 mm
- W31.3 x D19.7 x H59.4 mm
- Housing material: Zinc Alloy



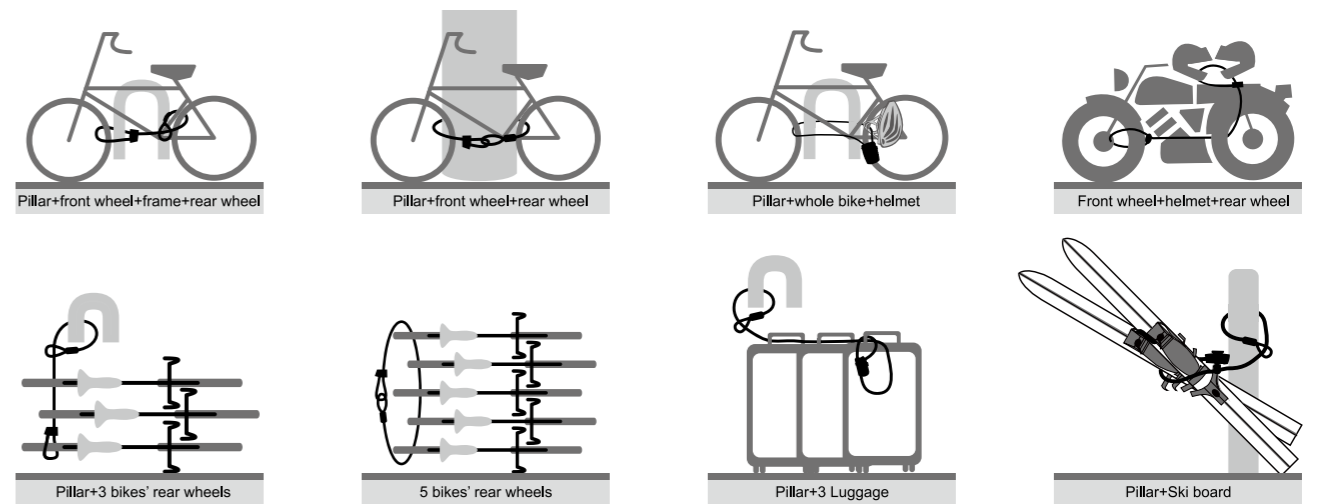
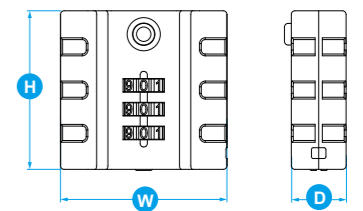
RL0647

- Cable size: Ø4.8 x L2000 mm
- W37.7 x D15.5 x H46.5 mm
- Housing material: Zinc Alloy



RL0649

- Cable size: Ø6 x L2000 mm
- W46.2 x D15.2 x H44 mm
- Housing material: Zinc Alloy

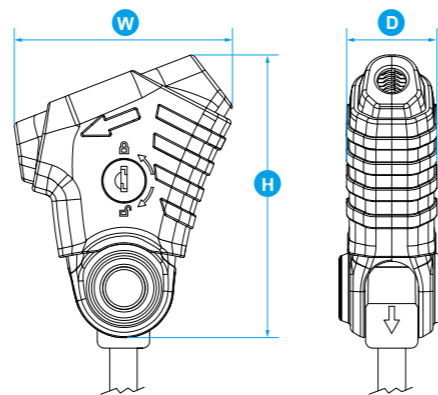


- Patented adjustable locking mechanism holds cable tight at any position for perfect fit
- High security wafer cylinder mechanism with dust cover
- Highly flexible locking way by either single or double loop
- Velcro strap hold excess cable for compact storage
- With Cinched function



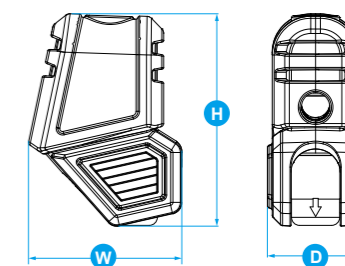
RL0675

- Cable size: Ø10 x L2000 mm
- Lock spec: W79.2 x D38 x H102.7 mm
- Housing material: Aluminum Alloy + ABS



RL0672

- Cable size: Ø8 x L2000 mm
- W47.7 x D30 x H66.1 mm
- Housing material: Aluminum Alloy + Silicon



- The cable is detachable and interchangeable with different lengths
- Standard length: 1.2 ~ 2-meter cable, others options available



Using **"Single Loop"** to lock single item

or, using **"Double Loop"** to lock multiple objects at once





Notes



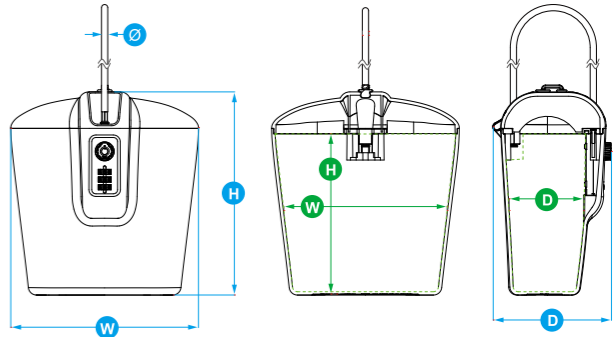
Notes

Portable Safes

Best for Dormitory / Airbnb / Beach / Travel or Leisure use



- Spacious Interior
- Adjustable steel cable to securely lock around fixed object
- Rust-resistant, impact-resistant, and water-resistant
- Open safe using either resettable 3-digit custom combination code or unique key
- Perfect for beaches, pools, hotels, colleges, home, office, cruises, parks, and more
- Tubular-style cylinder
- Easy read dials



RL0988

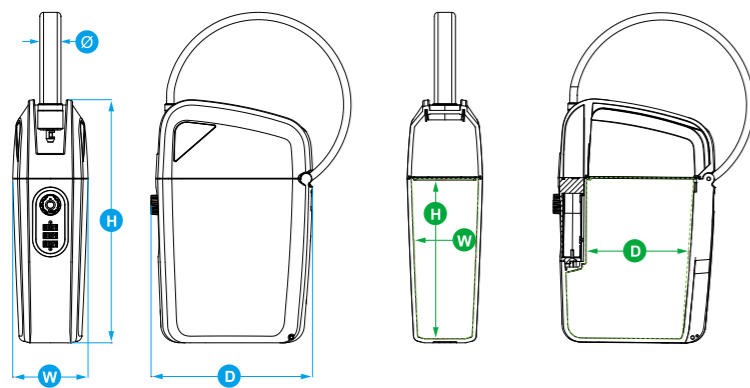
- Cable size: Ø6 x L450 mm
- W180 x D108.6 x H195 mm
- Inner size: W156.5 x D71.5 x H154 mm
- Housing material: ABS

- Heavy-duty flexible dual-steel cable to securely lock around fixed object
- Rust-resistant, impact-resistant, and water-resistant
- Open safe using either resettable 3-digit custom combination code or unique key
- Perfect for beaches, pools, hotels, colleges, home, office, cruises, parks, and more
- Tubular-style cylinder
- Easy read dials



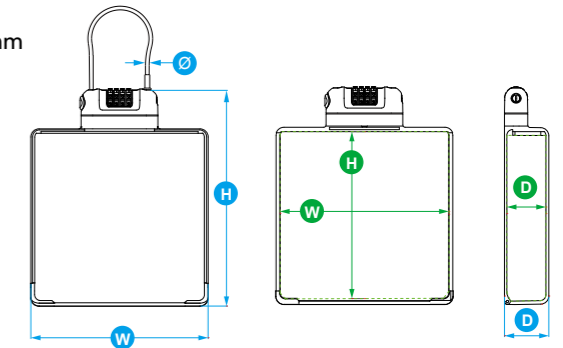
RL0999

- Cable size: $\varnothing 18 \times L430$ mm
- W66 x D142 x H213 mm
- Inner size: W52 x D93 x H140 mm
- Housing material: ABS



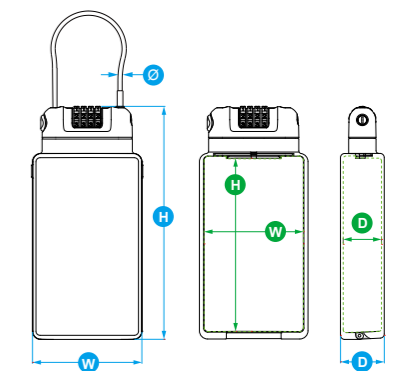
RL0983

- Cable size: $\varnothing 4 \times L165$ mm
- W152.3 x D38.1 x H186.7 mm
- Inner size: W145 x D33.6 x H143.5 mm
- Housing material: ABS



RL0985

- Cable size: $\varnothing 4 \times L165$ mm
- W80 x D32 x H170.3 mm
- Inner size: W72.6 x D28 x H126.6 mm
- Housing material: ABS



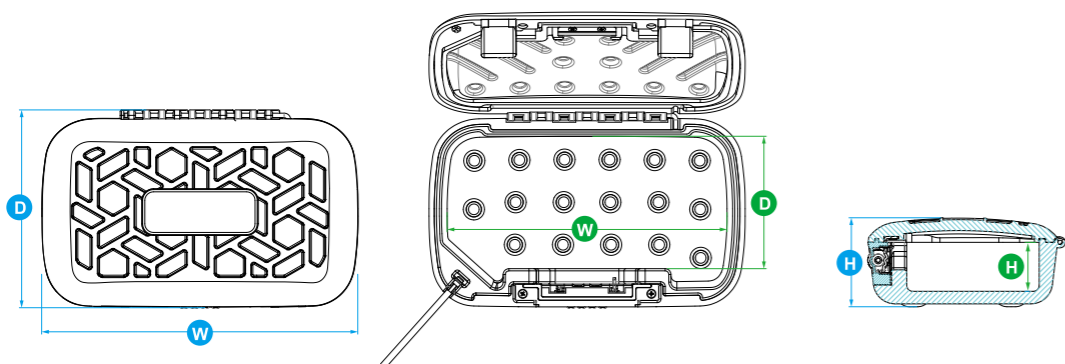


- Small safe for security from theft during outdoor activity or in dormitory, office and more
- Secure to a fixed object with steel cable
- Large capacity to protect multiple valuables
- Portable to carry and easy to use
- 4-digit resettable combination design
- Easy read dials



KB1002

- Cable size: Ø4.4 x L1500 mm
- W218 x D135 x H60 mm
- Inner size: W192.5 x D90 x H33.5 mm
- Housing material: PE



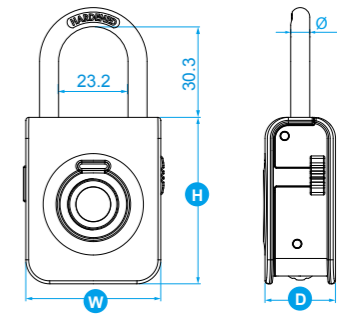
Padlocks

Best for Personal Travelling / Sports / Super Markets



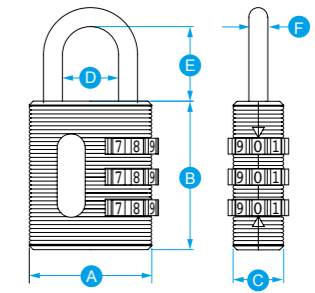
PL7001

- Shackle size: Ø6.3 mm
- W45 x D24 x H55.5 mm
- Color: Electroplate nickel / Painting black / Silver



PL0344 PL0324 PL0354

- Housing material: Zinc Alloy
- 3 sizes available for a wide range of uses

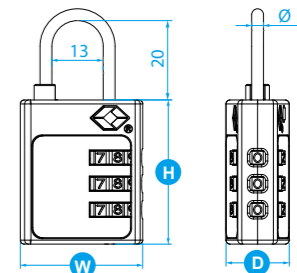


	A	B	C	D	E	F
PL0324	26	33	11	11.4	17.8	3.8
PL0344	31	37.6	12.8	14.2	18.9	4.8
PL0354	41	48.9	15.3	20	26.2	6.3



PL0533

- Shackle size: Ø3 mm
- W31 x D10 x H36.5 mm
- Housing material: Zinc Alloy

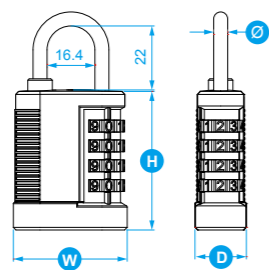


- Set your own combination for personal use
- Use key for emergency unlock without knowing the pre-set combination
- Comes with a key override in case the combination is ever lost or forgotten
- Allows the retrieval of lost codes for item and reset the combination if necessary
- Ideals for school lockers, gym lockers, toolbox lockers, club lockers ... etc.



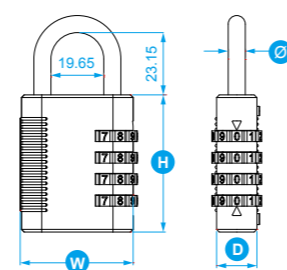
PL0571

- Shackle size: Ø4.8 mm
- W39 x D17.6 x H47.5 mm

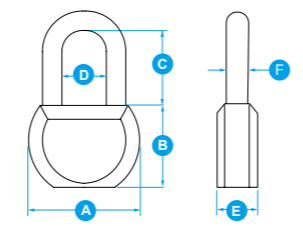


PL0575

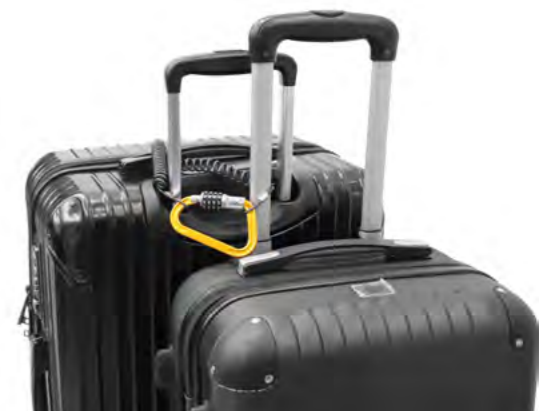
- Shackle size: Ø6.35 mm
- W42 x D15 x H51 mm



- High security stainless lock body with hardened steel shackle
- Hardened solid steel body withstands forcible attacks
- Key alike available
- Double locking mechanism
- 5 sizes available for a wide range of uses



	A	B	C	D	E	F
PD0732	30	22	18	12.5	13	5
PD0735	35	25	21	14	14	6
PD0742	40	30	23.5	16.3	15	6
PD0752	50	38	33	19	17	9
PD0762	60	45	40	26	19	10
PL6001	40	30	23.5	16.3	15	6

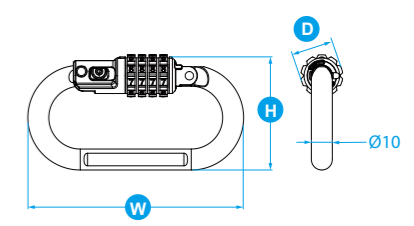


- Built to withstand pressure and tampering
- Provide more versatility and higher security with steel cable
- Convenient and portable
- 4-digit resettable combination design
- High visible large number dials



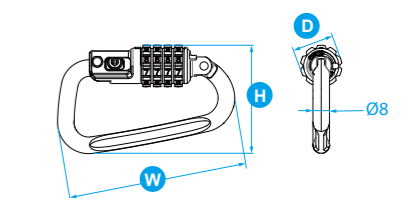
PL0171

- Shackle size: Ø10 mm
- W54 x D20 x H102.8 mm
- Shackle material: Aluminum



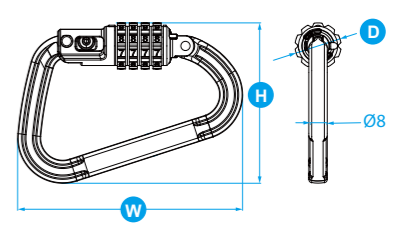
PL0172

- Shackle size: Ø8 mm
- W52.5 x D20 x H86.5 mm
- Shackle material: Aluminum



PL0173

- Shackle size: Ø8 mm
- W69.5 x D20 x H97.6 mm
- Shackle material: Aluminum





THE PRODUCTS AS CONTAINED IN THIS CATALOGUE ARE COVERED BY ONE OR MORE OF THE FOLLOWING PATENTS

US Patents

US6880373; US6968716; US7104093; US7213425; US8087274; US8171760; US8171762; US8297086; US8302436; US8528370; US8578743; US8578744; US8596506; US8621898; US8621899; US8640512; US8671721; US8695384; US8707744; USRE45429; US8991225; US9216754; US9574378; US9745780; US9752354; US9764786; US9784015; US10017965; US10113337; US10156087; US10499713; US10513871; US10718138; US10722004; US10731381; US10791638; US10794092; US11203886; USD899219; USD723353; USD719816; USD719813; USD719814; USD719815; USD689357; USD690580; USD691457; USD691871; USD670994; USD667286; USD665648

Taiwan Patents

M434240; M438524; M442395; M442393; M445619; M446807; M446806; D151772; M447911; M457763; M458438; D159739; M484359; M489903; M489535; M492037; M493581; M495397; M508581; M517361; M519165; M520561; D175222; D176594; D176593; D176592; D176591; M526610; M528354; M530338; M531925; D180457; D180456; D180455; D180454; M537134; M547587; M547585; M550766; M551219; M553353; M553352; M553349; M553752; M554495; M557292; M559353; M561122; M564073; M564892; M566457; M567294; M569363; M571640; M575046; M575471; M575470; M575469; D196333; D196332; D197422; D197421; M580617; M583478; M583882; M583880; M586923; M587207; M587678; M587677; M589221; M589220; M590623; D202939; M593454; M594380; M596884; M596805; M600329; M601024; D207003; D207002; D207001; M604342; D209195; D209194; D209193; M608472; M610711; D211132; M613561; M613535; M614260; I735269; M616305; D213651; M618643; M618565; M618459; M618413; M618393; I744008; M619423; I746392; I746371; M621060; D215869

European Patents

FR3084098; FR3092355; FR3067734; FR3080398; FR3079701; GB2583563; GB2565413; GB2575738; GB2573199; GB2545331; GB2510496; EM008449102; EM008423685; EM008097323; EM005519675; EM002378562; EM002303461; EM002303461; EM002303461; EM001929928; EM001929894; EM001895921; EM001351910; EM001351837; EM001351696; EM001345367; EM008401640; EM002878025; DE202021105837; DE202021105159; DE202021104700; DE202021101100; DE202020107597; DE202020106446; DE202020103694; DE202020100646; DE202019105721; DE202019104984; DE202019103891; DE202019100874; DE202018104725; DE202018103671; DE202018103265; DE202016106430; DE202016000127; DE202016000006; DE202016000005; DE202014100423; DE202013102264; DE202013101246; DE202013006623; DE202012102757; DE202019101103; DE202018103312; DE202018101668; DE202014102243; DE202018104167

China Patents

CN305059018; CN303548629; CN303528970; CN302871081; CN215108167; CN206110897; CN305962685; CN304662347; CN302502620; CN214365486; CN211647693; CN109209061; CN103239000; CN102373843; CN305962682; CN214365510; CN213838122; CN211787101; CN211787100; CN211787099; CN210563899; CN204215407; CN111593967; CN215108153; CN209799642; CN205857949; CN306475602; CN215168953; CN214330238; CN207553797; CN207469954; CN206299227; CN204804494; CN103061600; CN306166778; CN305962681; CN305901969; CN209670582; CN209509772; CN208010115; CN206801244; CN102373846; CN102312613; CN306492384; CN306271892; CN306090696; CN306090695; CN306009398; CN306003743; CN305976381; CN305976380; CN305976379; CN305962684; CN305962683; CN305936831; CN305936829; CN305901974; CN305901973; CN305901972; CN305901971; CN305764492; CN305695235; CN305451566; CN305170374; CN305118630; CN304984612; CN304984593; CN304136447; CN303602824; CN303488703; CN303475843; CN303132318; CN303132317; CN302929308; CN302929295; CN302847134; CN215108105; CN214175094; CN214170212; CN213838125; CN213838124; CN213838123; CN212994905; CN212249588; CN211647662; CN211201482; CN211115262; CN210888445; CN210508725; CN210460255; CN210422217; CN210377471; CN210105529; CN209723926; CN209653659; CN209644170; CN209509771; CN209413545; CN209413489; CN209293583; CN208618956; CN208137708; CN208010083; CN207453698; CN207377308; CN207080051; CN207080050; CN207080049; CN207017816; CN206801255; CN206722569; CN206466068; CN206245919; CN206110893; CN205894899; CN205857981; CN205857948; CN205591691; CN205382773; CN205224873; CN204850780; CN204060181; CN204056068; CN203950255; CN203947885; CN203584061; CN203441219; CN112012584; CN111287585; CN110616972; CN109267830; CN107630597; CN107178254; CN106539248; CN106246009; CN104453478; CN104265077; CN103670028; CN103573052; CN103315460; CN103222719; CN102733687; CN102367719; CN102011513; CN101994433; CN101638955

Japan Patents

JP1697939; JP3218291; JP3232010; JP3227428; JP3223601; JP3223272; JP3221383; JP3204222; JP1427953; JP1427952

More patents pending...



 **SINOX** SINOX COMPANY LTD. ISO 9001 : 2015

Taiwan Headquarter / Factory

3F, No.2, Lane 93, Chien-I Road, Chung-Ho Dist., New Taipei City, 235602, Taiwan
TEL: +886.2.8227.6730 FAX: +886.2.8227.6729

China Factory

No. 876, Huayuan Road, Zhangpu Town, Kunshan City, Jiangsu Province, P.R. China
Post code: 215321 TEL: +86.512.5518.7605 FAX: +86.512.5518.7691

Email: info@sinoxlock.com Website: www.sinoxlock.com
Copyright©2022 All Rights Reserved by SINOX Company Ltd.



CAT NO.22-08